



DM620N

QUICK START GUIDE

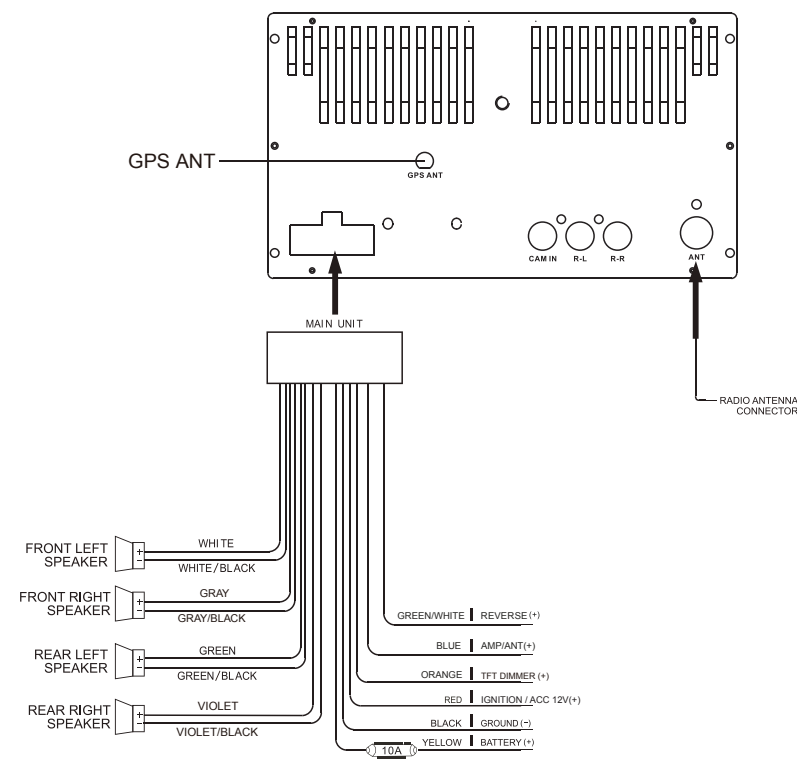
Media Receiver with Bluetooth® featuring a 7" Touch Screen Display

This Quick Start Guide gives you the basics to start using your DM620N. Please visit www.dualav.com/support/manuals.php to download a complete owner's manual or call customer service at 1-866-382-5476 (Monday-Friday, 9AM-5PM EST).



Customer Service Toll Free: 1-866-382-5476

Wiring Diagram - Inputs/Outputs



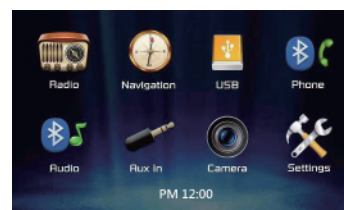
Control Locations



- | | |
|------------------------------------|-------------|
| 1. Press- Mode Change | 5. Map Only |
| Press and hold -- Voice Activation | 6. Reset |
| 2. Tune/Track Up | 7. AUX |
| 3. Volume/Power/Mute | 8. USB |
| 4. Tune/Track Down | |

Main Menu

In the Menu mode, press the desired icon to enter the corresponding mode: Radio, Navigation, USB, BT Phone, BT Audio, Aux In, Camera, Settings.



USB Operations

Insert USB device in the USB slot, and the unit will read the USB device.

- | | |
|--------------------|---------------------|
| 1. Home | 7. Audio |
| 2. File Search | 8. Track Up |
| 3. Settings | 9. Voice Activation |
| 4. Folder Up | 10. Play/Pause |
| 5. Navi hot button | 11. Screen Dimmer |
| 6. Folder Down | 12. Track Down |



USB File Search Operation

1. Press File Search icon to File Search sub menu, press Folder Up / Folder Down to select suitable folder. Folder Name will be displayed. If file(s) are stored in ROOT (not folder), it will display "ROOT".
2. Select files directly from the keypad, then press CONFIRM to play the file.

1. Folder Name / current track / total track number
2. Folder Up
3. Previous Menu
4. Confirmed
5. Folder Down



Audio Operation

Press Sound Effect icon in the Settings menu to select EQ Presets, 2-Band Tone Control, Fader and Balance controls.



General Operation

Press the function icons to select the setup menu.



Tuner Operation

Select the Tuner icon from the Main Menu screen or press MODE until Tuner is selected.

1. Information Display
2. Current Mode Indicator
3. Tune Up
4. Stereo/Mono
5. AS/PS
6. Preset
7. Local/DX
8. Band
9. Tune Down



Bluetooth Operation

Bluetooth Microphone

The microphone is built-in to the receiver.

Pairing and Connecting

Before using Bluetooth functions, you must pair your mobile phone to the DM620N unit. The device name is "DM620N". To ensure the best reception for pairing and re-connection, please make sure the mobile phone battery is fully charged before you begin.

- Try to perform pairing within a few minutes of the mobile phone being turned on.
- Once the unit has been paired with the mobile phone, the unit's model number, "DM620N", will be displayed on the mobile phone.
- To achieve the best performance, always keep the mobile phone within 10 feet (3 meters) of the unit.
- Always keep a clear path between the mobile phone and the unit. Never place a metal object or any other obstacle between the mobile phone and the unit.
- Some mobile phones may have a "Power Saving Mode" option. PLEASE DO NOT use the power saving mode with the DM620N.
- Before accepting or making a call, make sure your mobile phone's "Bluetooth function" is turned on.
- To ensure the best conversation quality/performance, stay within 3 feet (1 meter) of the unit's microphone when talking.

Dialing a Number

Press **[Keypad]** to display keypad and dial a number.

Making and Ending a Call

Press **[Phone]** to connect a call, and press **[End Call]** to end a call.

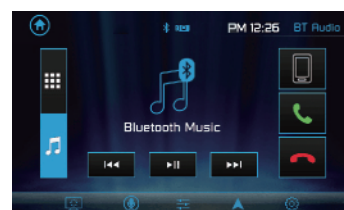


Transferring Audio

Press **[Transfer]** to transfer audio between the head unit and mobile phone.

Streaming Audio

Press **[Play/Pause]** to play or pause the music. Press **[Previous]** to skip to the previous track. Press **[Next]** to advance to the next track.



Voice Activation Operation

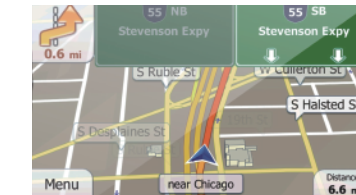
Bluetooth should be paired between your smartphone and the receiver. Press the voice activation button **[Voice]**, and the receiver will switch into Bluetooth mode. This will activate Siri® or Google Assistant™ on your smartphone. You will need to manually switch back to the previous or desired mode once this operation is terminated.

On-screen Navi App Operation

Activation of Dual Smart App should not be closed, but open on your smartphone for this operation. Touching **[Navi]** will guide you instant access to your favorite navigation App on your smartphone. Please refer to the complete manual on www.dualav.com/support/manuals.php.

Navigation Operation

You can download the navigation manual by visiting the below link, www.dualav.com/support/manuals.php



APP Operation

The Dual Smart App is the ultimate wireless remote control for your DM620N receiver. You can download Dual Smart app from Apple App Store or Google Play Store and install it on your smartphone or tablet.

Please scan the following QR code to download Dual iPlug P1 App to your smart phone.



One-Year Limited Warranty

This warranty gives you specific legal rights. You may also have other rights which vary from state to state. Dual Electronics Corp. warrants this product to the original purchaser to be free from defects in material and workmanship for a period of one year from the date of the original purchase. Dual Electronics Corp. agrees, at our option, during the warranty period, to repair any defect in material or workmanship or to furnish an equal new, renewed or comparable product (whichever is deemed necessary) in exchange without charges, subject to verification of the defect or malfunction and proof of the date of purchase. Subsequent replacement products are warranted for the balance of the original warranty period. Who is covered? This warranty is extended to the original retail purchaser for products purchased from an authorized Dual dealer and used in the U.S.A. What is covered? This warranty covers all defects in material and workmanship in this product. The following are not covered: software, installation/removal costs, damage resulting from accident, misuse, abuse, neglect, product modification, improper installation, incorrect line voltage, unauthorized repair or failure to follow instructions supplied with the product, or damage occurring during return shipment of the product. Specific license conditions and copyright notices for the software can be found via www.dualav.com.

What to do?

1. Before you call for service, check the troubleshooting guide in your owner's manual. A slight adjustment of any custom controls may save you a service call.
2. If you require service during the warranty period, you must carefully pack the product (preferably in the original package) and ship it by prepaid transportation with a copy of the original receipt from the retailer to an authorized service center.
3. Please describe your problem in writing and include your name, a return UPS shipping address (P.O. Box not acceptable), and a daytime phone number with your shipment.
4. For more information and for the location of the nearest authorized service center please contact us by one of the following methods:
 - Call us toll-free at 1-866-382-5476 (Monday-Friday, 9:00 a.m. to 5:00 p.m. EST)
 - E-mail us at cs@dualav.com

Exclusion of Certain Damages: This warranty is exclusive and in lieu of any and all other warranties, expressed or implied, including without limitation the implied warranties of merchantability and fitness for a particular purpose and any obligation, liability, right, claim or remedy in contract or tort, whether or not arising from the company's negligence, actual or imputed. No person or representative is authorized to assume for the company any other liability in connection with the sale of this product. In no event shall the company be liable for indirect, incidental or consequential damages.

FCC Compliance

This device complies with Part 15 of the FCC Rules. Operation is subject to the following two conditions:

- (1) this device may not cause harmful interference, and
 - (2) this device must accept any interference received, including interference that may cause undesired operation.
- Warning:** Changes or modifications to this unit not expressly approved by the party responsible for compliance could void the user's authority to operate the equipment.
- Note:** This equipment has been tested and found to comply with the limits for a Class B digital device, pursuant to Part 15 of the FCC Rules. These limits are designed to provide reasonable protection against harmful interference in a residential installation. This equipment generates, uses and can radiate radio frequency energy and, if not installed and used in accordance with the instructions, may cause harmful interference to radio communications. However, there is no guarantee that interference will not occur in a particular installation. If this equipment does cause harmful interference to radio or television reception, which can be determined by turning the equipment off and on, the user is encouraged to try to correct the interference by one or more of the following measures:

- Reorient or relocate the receiving antenna.
- Increase the separation between the equipment and receiver.
- Connect the equipment into an outlet on a circuit different from that to which the receiver is connected.
- Consult the dealer or an experienced radio/TV technician for help.

Copyright and Trademark Notes
The Bluetooth® word mark and logos are registered trademarks owned by Bluetooth SIG, Inc. The microSD logo is trademark of SD-3C LLC. Siri and Apple are registered trademarks owned by Apple Inc. Google Assistant and Android are trademarks owned by Google LLC. Other trademarks and trade names are those of their respective owners.