



XVM1000Ui

INSTALLATION/OWNER'S MANUAL

Media Receiver with Bluetooth , USBMirror and
featuring a 10.1" Touch Screen Display



FCC Compliance

This device complies with Part 15 of the FCC Rules. Operation is subject to the following two conditions:

- (1) this device may not cause harmful interference, and
- (2) this device must accept any interference received, including interference that may cause undesired operation.

Warning: Changes or modifications to this unit not expressly approved by the party responsible for compliance could void the user's authority to operate the equipment.

Note: This equipment has been tested and found to comply with the limits for a Class B digital device, pursuant to Part 15 of the FCC Rules. These limits are designed to provide reasonable protection against harmful interference in a residential installation. This equipment generates, uses and can radiate radio frequency energy and, if not installed and used in accordance with the instructions, may cause harmful interference to radio communications. However, there is no guarantee that interference will not occur in a particular installation. If this equipment does cause harmful interference to radio or television reception, which can be determined by turning the equipment off and on, the user is encouraged to try to correct the interference by one or more of the following measures:

- Reorient or relocate the receiving antenna.
- Increase the separation between the equipment and receiver.
- Connect the equipment into an outlet on a circuit different from that to which the receiver is connected.
- Consult the dealer or an experienced radio/TV technician for help.

Copyright Notes

MicroSD logo is a trademark of SD-3C, LLC.

Operating system updates from Apple and Android may cause your receiver not to function properly. This can usually be fixed by doing a software/firmware update to the receiver itself. To see if your receiver has the latest firmware, contact customer service at 1-866-382-5476 to see if your radio needs an update.

Other trademarks and trade names are those of their respective owners.

Safety Information

Mirroring, video and movie playback will not operate while the vehicle is moving. This is a safety feature to prevent driver distraction. Mirroring, video and movie functions will only operate when vehicle is in Park and the parking brake is engaged. It is illegal in most jurisdictions for the driver to view video while the vehicle is in motion.

SAFETY NOTICE
Watching video while driving is against
Federal, State and Local laws
Drive safely, know and obey traffic rules. Watching this screen and making selections while driving can lead to a serious accident.
Check surroundings for safety while camera images are displayed.

AGREE

Do not use features of this product while driving if it cannot be operated safely and legally in your location. Before operation of smartphone apps accessible from this device, read safety instructions in your Owner's Manual. When using navigation apps stay alert to observe real world conditions. By pressing "AGREE" button, you have confirmed that you have fully read, understand and accepted these usage terms and conditions.

The SAFETY NOTICE is reminder to drive responsibly and safely while using your mobile phone device, or any APP's that are compatible with this unit.

it is highly recommended that your Dual XVM1000Ui is installed by a professional installer or an authorized dealer:

This product is only for use in vehicles with 12VDC negative ground only.

To prevent damage or injury:

- Make sure to ground the unit securely to the vehicle chassis ground.
- Do not remove the top or bottom covers of the unit.
- Do not install the unit in a spot exposed to direct sunlight or excessive heat or the possibility of water splashing.
- Do not subject the unit to excessive shock.
- When replacing a fuse, only use a new one with the prescribed rating. Using a fuse with the wrong rating may cause the unit to malfunction.
- To prevent short circuits when replacing a fuse, disconnect the wiring harness first.
- Use only the provided hardware and wire harness.
- You cannot view video while the vehicle is moving. Find a safe place to park and engage the parking brake.
- If you experience problems during installation, consult your nearest Axxera dealer.
- If the unit malfunctions, reset the unit as described on page 10 first. If the problem still persists, consult your nearest Axxera dealer or call tech assistance @ 1-866-382-5476.
- To clean the monitor; wipe only with a dry silicone cloth or soft cloth. Do not use a stiff cloth, or volatile solvents such as paint thinner and alcohol. They can scratch the surface of the panel and/or remove the printing.
- When the temperature of the unit falls (as in winter), the liquid crystal inside the screen will become darker than usual. Normal brightness will return after using the monitor for a while.
- When extending the ignition, battery or ground cables, make sure to use automotive-grade cables or other cables with an area of 0.75mm (AWG 18) or more to prevent voltage drops.
- Do not touch the liquid crystal fluid if the LCD is damaged or broken. The liquid crystal fluid may be hazardous to your health or fatal. If the liquid crystal fluid from the LCD contacts your body or clothing, wash it off with soap immediately.



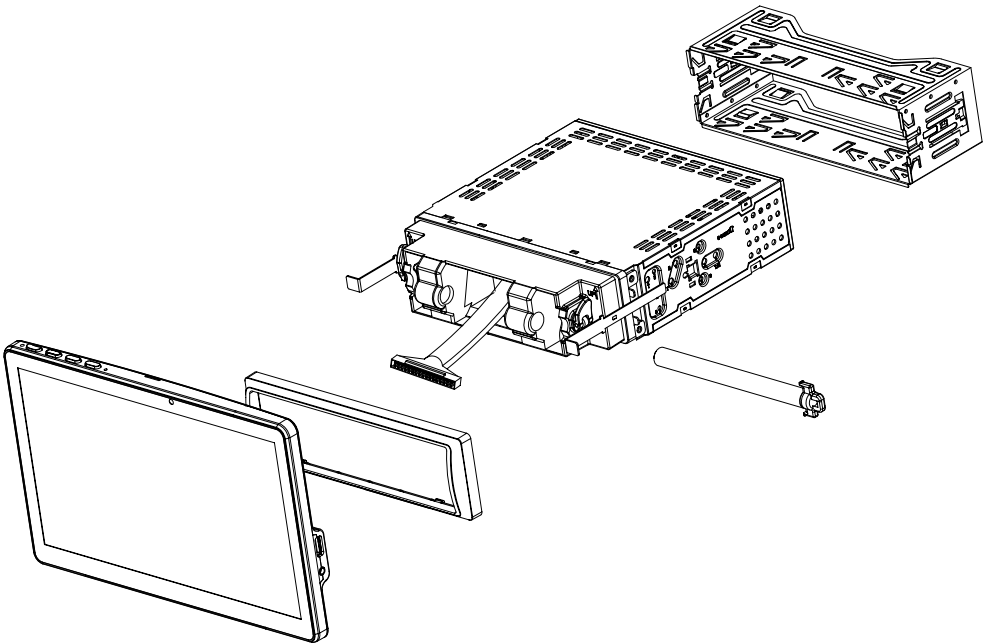
Preparation

Before You Start

- Disconnect negative battery terminal. Consult a qualified technician for instructions.
- Avoid installing the unit where it would be subject to high temperatures, such as from direct sunlight, or where it would be subject to dust, dirt or excessive vibration.

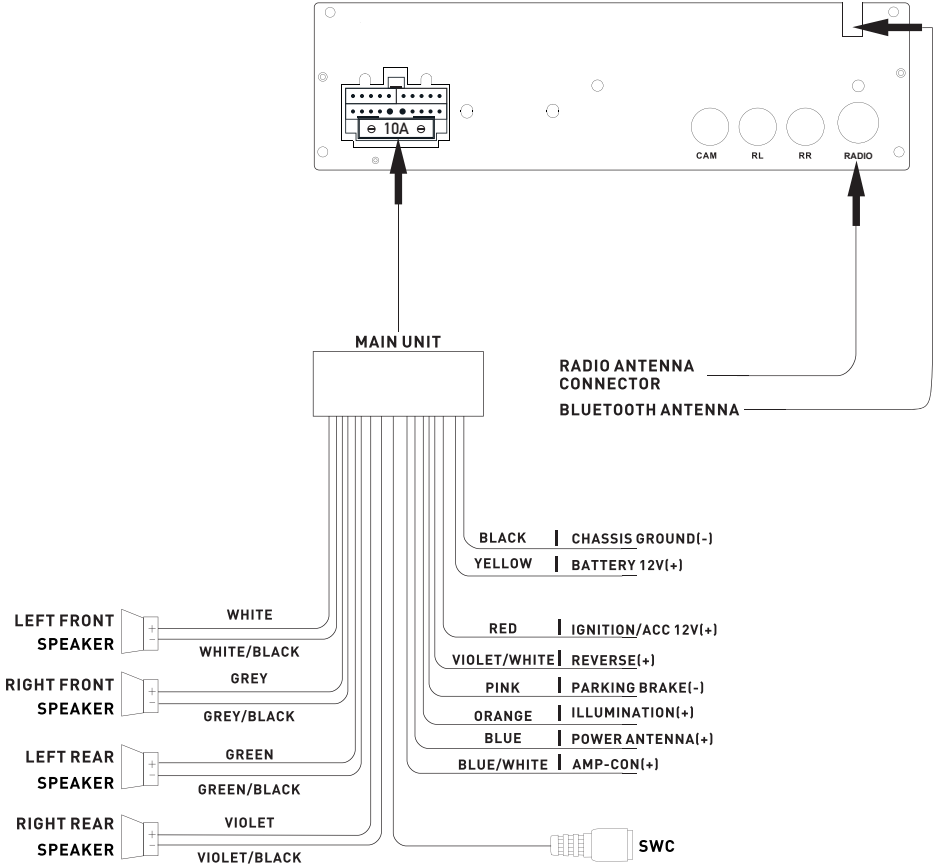
Getting Started

- Insert the supplied keys into the slots as shown.
- Connect wiring harness as shown on page 5. Consult a qualified technician if you are unsure.
- Certain vehicles may require an installation kit and/or wiring harness adapter (sold separately).
- Reconnect negative battery terminal, and test for correct operation.
- Snap trim ring into place (if required).



TYPICAL FRONT-LOAD DIN MOUNTING METHOD

Wiring Diagram - Inputs/Outputs



Note:

When replacing a fuse, make sure to use the correct type and amperage. Using an incorrect fuse could cause damage. The unit uses (1) 10 amp blade-type fuse located on the back of the unit.

Wiring Notes:

Rear camera input

A rear view camera (not included) can be used with the Camera input.

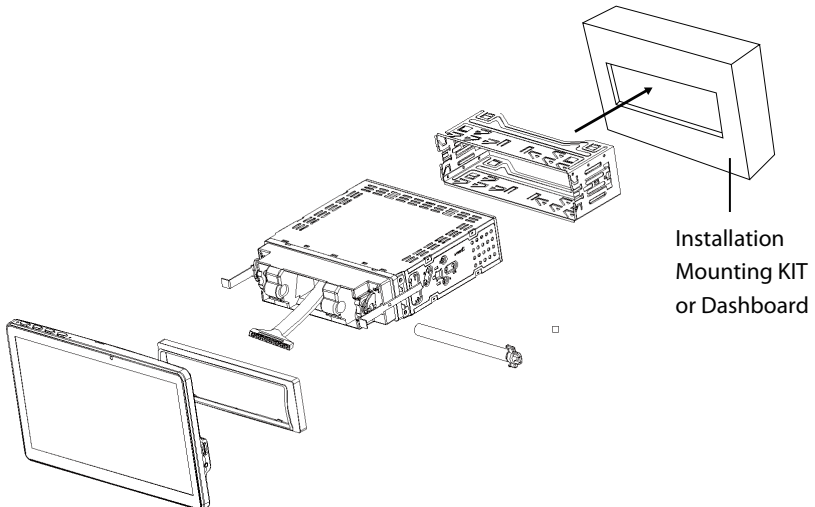
Connecting a device

DualMirror technology allows you to mirror the screen of select Android smartphones as well as iPhone, iPod and iPad devices.

Front Panel Installation Guide

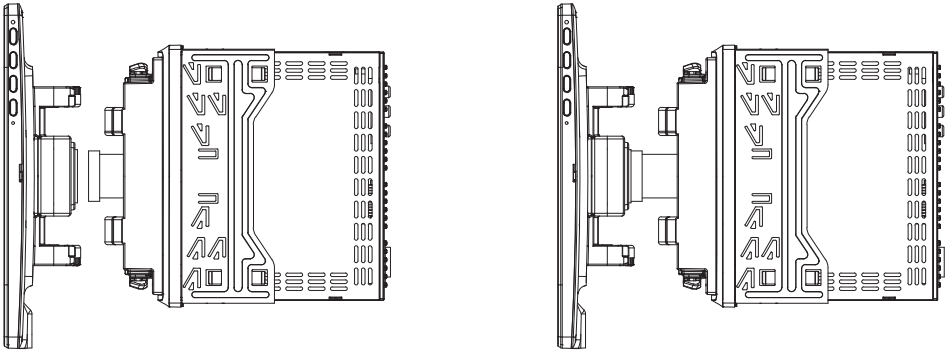


- Step 1:** Insert the supplied removal keys into the slots as shown and slide the receiver out of the mounting sleeve.
- Step 2:** Install the mounting sleeve into the dash or installation kit opening and bend the tabs to secure
- Step 3:** Connect the power wiring harness.
- Step 4:** Snap the trim ring into place making sure the notched area is on the bottom.
- Step 5:** Slide the receiver into mounting sleeve to secure.

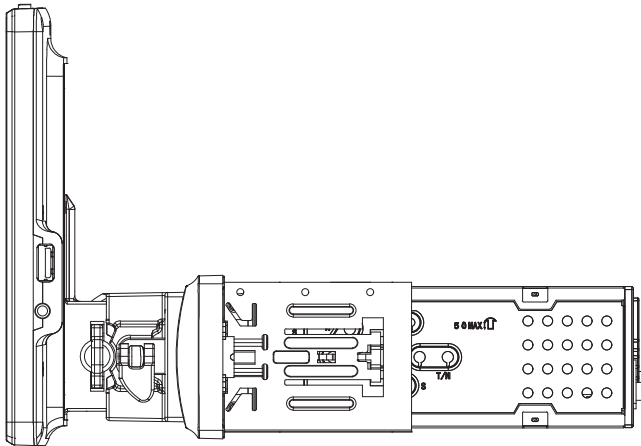


Front Panel Installation Guide

Step 6 : Insert the LVDS cable to the back side of monitor.

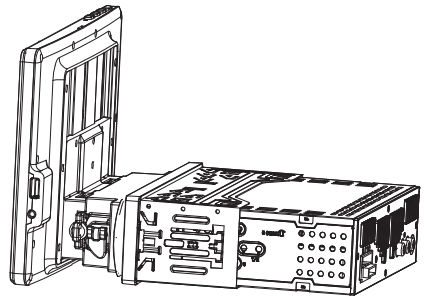
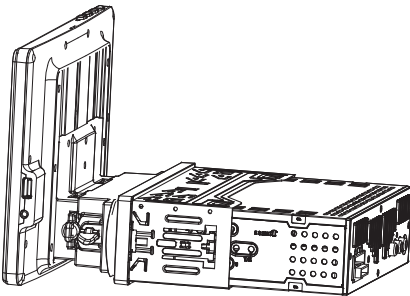
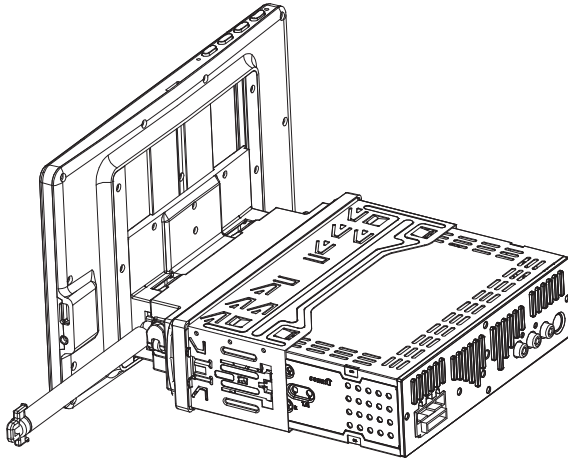


Step 7 : Align the monitor with the chassis so that you can see a small round hole on either side like below.



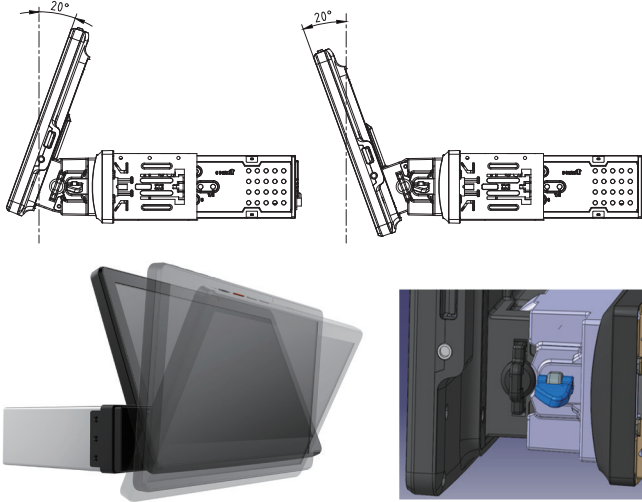
Front Panel Installation Guide

Step 8 : Insert the included rod to attach the screen to the chassis.



Front Panel Installation Guide

Step 9 : Pivot the screen either back or forth to adjust to the best viewing angle then flip the 2 locking tabs (on the sides of the chassis) down to lock the screen into place.



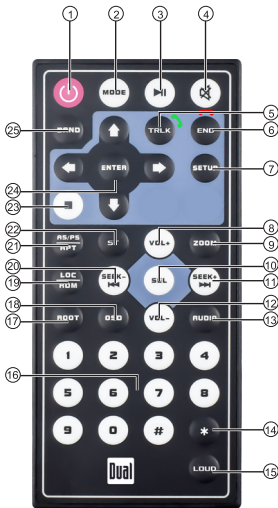
Step 9 : The screen is adjustable up and down. It is recommended that you use both hands when adjusting the screen as the mechanism that holds the screen in place is tight.



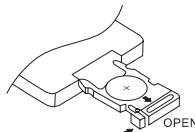
Control Locations



- ① Microphone
- ② Power/Mute Button
- ③ Voice/Camera Button
- ④ Volume Down
- ⑤ Volume Up Button
- ⑥ Reset
- ⑦ microSD Card Slot
- ⑧ USB Port
- ⑨ 3.5mm AUX Input Jack



- ① Power
- ② Mode
- ③ Play / Pause
- ④ Mute
- ⑤ Talk
- ⑥ End Call
- ⑦ Setup
- ⑧ Volume Up
- ⑨ Zoom
- ⑩ Select
- ⑪ Tune/Track Up
- ⑫ Volume Down
- ⑬ Audio
- ⑭ * Key
- ⑮ Loudness
- ⑯ Number Keys
- ⑰ Root
- ⑱ OSD (On Screen Display)
- ⑲ Local / Random
- ⑳ Tune/Track Down
- ㉑ AS/PS / Repeat
- ㉒ Stop
- ㉓ Enter
- ㉔ Band



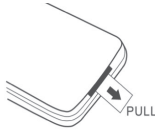
How to Replace the Battery

Use CR2025 Replacement Battery Only

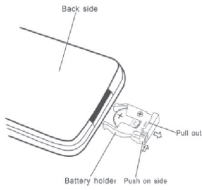
Slide the tray out on back of the remote control, and insert battery with the (+) and minus (-) poles pointing in the proper direction.

Remote Control Preparation

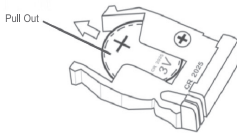
Remove battery insulation tape .



To insert or replace the battery, remove the battery holder.



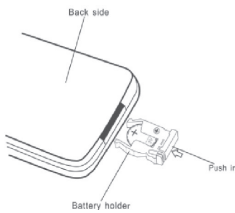
Remove the battery from the battery holder.



Install the new battery. Make sure to keep the (+) side up.



Insert the battery holder .





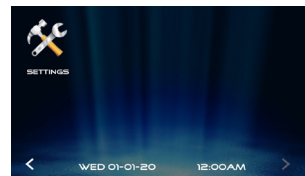
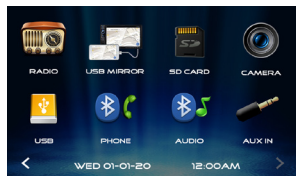
Notes:

- The remote control uses one 3 volt Lithium CR2025 battery. Remove the battery if the remote will not be used for a month or longer.
- Remove and dispose of battery properly.
- Do not store battery with metallic objects or materials.



General Operation

Power On/Off	Press  to turn the unit on. Press and hold  to turn the unit off.
Mode	Press MODE to access available input modes: Radio, USB Mirror, USB, SD Card, Bluetooth Phone, Bluetooth Music, Camera, Auxiliary Input. Modes of operation are indicated on the display and/or the monitor. USB device or microSD card must be connected/inserted to appear in the mode selection string.
Volume	Press the Volume + or Volume - on the top of the front panel, the Volume Pop up window will show up on the screen. Press the Volume Button on the top of the front panel or swipe left and right the volume on the pop up window directly to adjust the volume level lower or higher{0~42}.
Mute	Press the volume + or volume - on the top of the front panel. The volume Pop up window will show up on the screen. Press the speaker icon in the volume pop up window to turn mute on or off. When the volume pop up window disappears on the screen and the unit is in mute state, press the screen to cancel the mute.
Auxiliary Input	Connect external audio devices to the 3.5mm auxiliary input on the front panel.
USB Port	Connect a USB device to the USB port on the front panel to play MP3 files or JPG photos.
microSD Slot	Insert a microSD card into the microSD slot on the front panel to play MP3 files or JPG photos.
Main Menu	From any operational mode, press the house icon in the top left corner to access the Main Menu screen.



1. Adjust screen brightness or put the monitor into standby mode.
2. Access audio setting such as EQ, Surround Sound Settings and Field Settings (Balance/Fader).

General Operation

Setup Menu

From the Main Menu screen, press **Settings** in the bottom right corner to access the Setup Menu and select from the following categories: General, Audio, Video and Bluetooth.



General:

- **OSD Language** - Select English as the language for the on-screen display.
- **Wallpaper** - Select between three available wallpaper options.
- **Radio Area** - Select your current geographic area: Europe, USA, South America, Russia and Asia.
- **Time Setting** - Adjust the current time (hours and minutes) and choose between a 12-hour and 24-hour clock.
- **Beep** - Select to turn the audible beep On or Off.
- **Camera** - Select to turn the rear camera On or Off.
- **Version** - Select to view information about the unit.
- **Restore Default** - Select to restore the unit to default setting

Audio:

- **Sound Effect** - Select to access the three sound effect sub-menus.
- **EQ** - Select from any preset equalization curve (Classic, Rock, Pop, Jazz, Beat, Flat) or use custom settings (User).

Video:

- **Aspect Ratio** - Select the desired aspect ratio: 4:3PS, 4:3LB or 16:9.
- **Adjust** - Select to adjust levels of Brightness, Contrast, Hue, Saturation and Sharpness.
- **Panel** - Select to choose backlight settings: 10s, 20s, 30s or Off.

Bluetooth:

- **Auto Connect** - Turn auto connect feature On or Off.
- **Auto Answer** - Turn auto answer feature On or Off.

AM/FM Tuner Operation



Radio Operation

Select the Radio icon from the Main Menu screen.

Main Menu ①

Press to return to Main Menu screen.

Current Mode Indicator ②

Displays current mode of operation.

Tune Frequency Down ③

Press momentarily to tune the unit down one step at a time. Press and hold to tune down by seeking the next strong station.

Preset Stations ④

To store a preset station, tune unit to desired station, then press and hold the desired preset button to store the current station in that preset spot. Up to 18 FM and 12 AM stations can be stored in memory. Momentarily press any preset station to play it instantly.

Screen ⑤

Press to adjust screen brightness or put the monitor into standby mode.

Band ⑥

Press to select between three FM and two AM bands.

Local / Distance ⑦

Press to toggle between LOCAL and DX [distance] tuning.

Audio ⑧

Press to access audio setting such as EQ, Surround Sound Settings and Field Settings (Balance).

Stereo / Mono ⑨

Press to toggle between Stereo and Mono tuning.

AM/FM Tuner Operation



AS/PS ⑩

Press and hold to automatically store the six strongest stations in the current band as presets. Press briefly for a preset scan, which will scan all preset stations and play 10 seconds of each. Press again to cancel the scan and continue playing the current station.

Settings ⑪

Press to access the Settings Menu.

Tune Frequency Up ⑫

Press momentarily to tune the unit up one step at a time. Press and hold to tune up by seeking the next strong station.

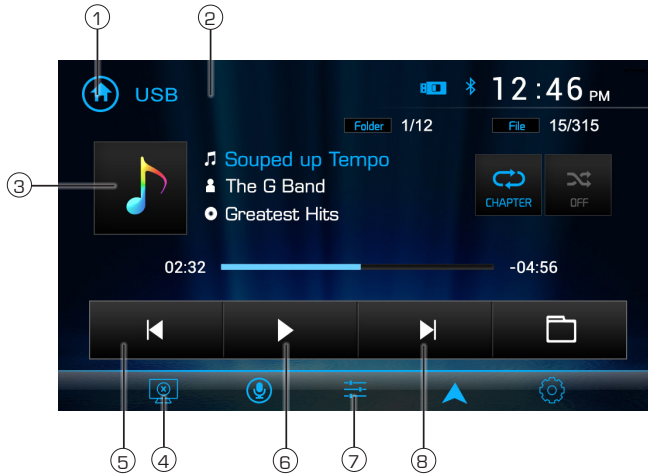
Navigation ⑬

Press to utilize Voice Activation feature.

Voice Activation ⑭

Press to directly access Navigation app.

USB/SD Operation



MP3 or JPG Operation

To play MP3 files from a USB device or microSD Card, insert device and playback will begin automatically. To return to USB or SD playback from another mode of operation, select the corresponding icon from the Main Menu.

- **USB Playback** - Insert a USB device into the USB slot on the front of the unit.
- **microSD Playback** - Insert microSD card into the microSD slot on the front of the unit.

Main Menu (1) Press to return to Main Menu screen.

Current Mode Indicator (2) Displays current mode of operation.

File Information (3) Displays information about the current file.

Screen (4) Press to adjust screen brightness or put the monitor into standby mode.

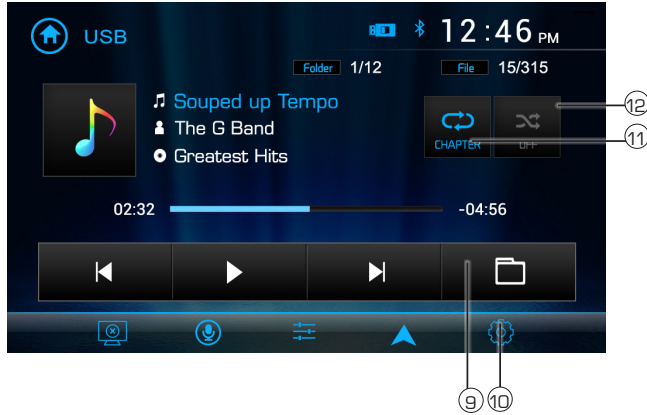
Tune / Track Down (5) Press momentarily to tune the unit down one step at a time. Press and hold to tune down by seeking the next strong station.

Play / Pause (6) Press to play or pause playback.

Audio (7) Press to access audio setting such as EQ, Surround Sound Settings and Field Settings (Balance/Fader).

Tune / Track Up (8) Press momentarily to tune the unit up one step at a time. Press and hold to tune up by seeking the next strong station.

USB/SD Operation



- Folder Search** ⑨ Press to access the directory of folders and files. Use the up/down arrows to scroll through the folder list, then press on the name of the desired folder to access it. Use the up/down arrows to scroll through the file list, then press on the name of the desired file to access it.
- Settings** ⑩ Press to access the Setting Menu.
- Repeat** ⑪ Press to turn Repeat feature on.
- Random** ⑫ Press to turn Random feature on.



Media Compatibility - USB/ microSD Card

File Type		MP3		
File System	FAT	FAT 12	X	
		FAT 16/FAT 32	✓	
File Extension	.mp3/.MP3/.Mp3/.mP3		✓	
	.rmp/.m4a		X	
MPEG Format	MPEG 1		✓	
	MPEG 2		✓	
	MPEG 2.5		✓	
Sampling Frequency	MPEG 1		32/44.1/48kHz	
	MPEG 2		12/16/22.05/24kHz	
	MPEG 2.5		8/11.025/12kHz	
Bitrate	MPEG 1		32 ~ 320kbps	
	MPEG 2		8 ~ 160kbps	
	MPEG 2.5		8 ~ 160kbps	
Other Information	Directory Depth		Unlimited	
	File Name Length		32 bytes	
	Total File Number		2000 files	
	Total Folder Number		200 folders	
	File Number via Folder		2000 files	
	MP3 ID3 TAG	ver.1.x		✓
		ver.2.x		✓
Title, Artist, Album		✓		

Notes:

- For USB mode, it is not possible to view JPG files on the in-dash monitor while the vehicle is moving. This is a safety feature to prevent driver distraction.
- The JPG image viewer function will only operate when vehicle is in park and the parking brake is engaged.
- Due to ongoing technological advancement, some USB flash drives and/or microSD cards may be incompatible with this unit.

Media Compatibility

Media Compatibility

The following types of discs/files are not compatible:

- MP3 PRO format, MP3 playlists
- RMP format
- WAV format
- WMV format
- WMA format
- AAC, protected AAC, M4A format

Playback Order

MP3 playback sequence begins in the root folder of the USB flash drive or SD card. Any empty folders or folders that do not include MP3/JPG files are skipped.

Compatible Recording Formats

ISO9660 standards:

- Maximum nested folder depth is 8 (including the root folder).
- Valid characters for folder/file names are letters A-Z (all caps), numbers 0-9, and "_" (underscore). Some characters may not be displayed correctly, depending on the character type.
- This device can play back files in Joliet and other standards that conform to ISO9660. MP3 written in the formats other than the above may not play and/or their file names or folder names may not be displayed properly.

Some files may not play or be displayed correctly, depending on sampling rates and bit rates.

Notes

For best results, use the following settings when ripping MP3 files:
128kbps or higher constant bit rate
44.1 kHz or higher sampling frequency

Bluetooth Operation



Preparation

Before you can use a Bluetooth device, it must be paired and connected. Make sure that Bluetooth is activated on your device before you begin the pairing process.

Pairing a New Device

The unit broadcasts the pairing signal constantly when no devices are currently connected. Complete the pairing sequence from your Bluetooth device. Refer to the owner's manual for your device for more details. **The device name is "XVM1000Ui". The Bluetooth passcode "0000".** The unit can be in any mode of operation when pairing is performed.

Note: On certain phones, pairing may need to be done more than once if there are connectivity issues.

Connecting a Paired Device

Most Bluetooth devices support the auto-connect feature and will connect automatically if the device is in range when the unit is powered-on. If your device was previously paired but does not connect, enter the Bluetooth setup menu and ensure that Auto Connect is On.

Bluetooth Phone

To access the phone, select Bluetooth Phone from the Main Menu.

Main Menu ①

Press to return to the Main Menu screen.

Current Mode Indicator ②

Displays current mode of operation.

Phone Keypad ③

Use the phone keypad to dial the desired phone number. Alternately, numbers can be dialed directly from the phone.

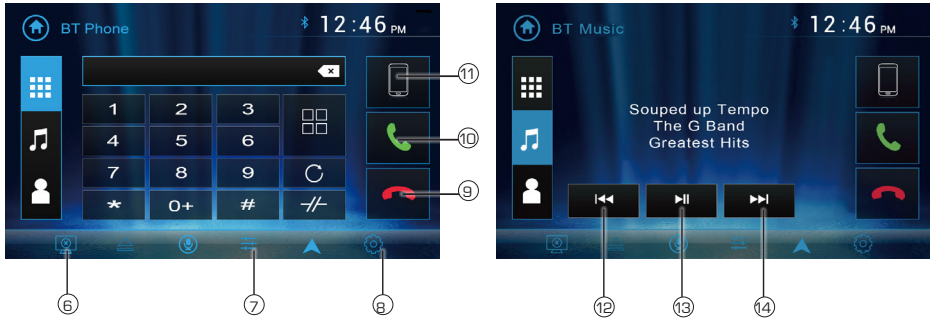
Phone ④

Press to display keypad and dial a number.

Music ⑤

Press to play music using the Bluetooth connection.

Bluetooth Operation



- Screen** ⑥ Press to adjust screen brightness or put the monitor into standby mode.
- Audio** ⑦ Press to access audio setting such as EQ, Surround Sound Settings and Field Settings (Balance).
- Settings** ⑧ Press to access the Settings Menu.
- End Call** ⑨ Press the end the current call.
- Make a Call** ⑩ Press to connect or answer a call.
- Bluetooth Music** ⑪ To use your Bluetooth connection to play music from your device, press #5 or select Bluetooth Music from the Main Menu.
- Previous File/Track** ⑫ Press to go back to the previous file or track.
- Play / Pause** ⑬ Press to pause or resume playback.
- Next File/Track** ⑭ Press to advance to the next file or track.



Front 3.5mm Aux Input & Rear RCA A/V Input

Auxiliary Input

Connect an optional audio source into the 3.5mm (front panel) input.

Select auxiliary input from the Main Menu to listen to audio.

Adjust volume on the external audio source as needed (if connected to the headphone output of the device).

Rear Camera Operation - (Optional)

Using Rear Camera

Manual selection - Touch CAMERA icon from the Main Menu or from any operational mode (when enabled) to select camera mode. Touch the top left area on the screen to exit camera mode.

Note: The manual mode is for dedicated cameras that are ALWAYS on while driving, it is not meant for cameras that are connected to the vehicle's reverse light.

Auto Selection

The unit will automatically select camera mode when connected to the reverse lamp circuitry.

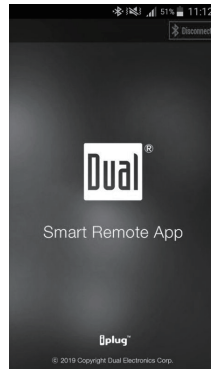
Note: The external video output is not active when using the rear camera input.

Dual iPlug P1 Smart App Remote Control

Use the Dual iPlug P1 Smart App Remote Control on an Apple or Android smartphone to control the receiver via Bluetooth.

Change the mode, station, song, volume, and settings directly from your smartphone without being in the receiver's line-of-sight.

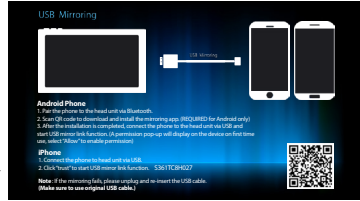
Download the Dual iPlug P1 Smart App Remote Control from Apple App Store or Google Play Store and install it on your smartphone or tablet [QR code download link on the right].



USB Mirror™ Operation

To set up USB Mirroring capabilities, select USB Mirroring from the main menu and follow the on-screen directions for connecting your Android or iPhone. Once completed, the unit will mirror phone display onto the unit's on-screen display. To return to the main menu, press the lower left corner of the screen to display and select the home button.

Note: Apple and Android operating system updates may cause your receiver to malfunction. This can usually be solved by doing a software/firmware update on the receiver. To see if your receiver has the latest firmware, contact customer service at 1-866-382-5476.



Drong Screen App's QR Code



(Note: Mirroring is enabled only when the vehicle is in park and the parking brake engaged)

Troubleshooting

General		
Problem	Cause	Action
Unit will not turn on (no power)	Yellow wire not connected or incorrect voltage	Check connections for proper voltage (11 ~ 16VDC)
	Red wire not connected or incorrect voltage	Check connections for proper voltage (11 ~ 16VDC)
	Black wire not connected	Check connection to ground
Unit has power (but no sound)	Fuse blown	Replace fuse(s)
	Speaker wires not connected	Check connections at speakers
	One or more speaker wires touching each other or touching chassis ground	Insulate all bare speaker wires from each other and chassis ground
Unit blows fuse(s)	Yellow or red wire touching chassis ground	Check for pinched wire
	Speaker wires touching chassis ground	Check for pinched wire
	Incorrect fuse rating	Use fuses with correct rating
Unit has audio (but no video)	Parking brake safety circuit not connected	Check connections at parking brake
	Parking brake not applied	Apply parking brake as described on page 26
No video display (when in reverse)	Reverse circuit not connected	Check connections at reverse lamp
	Vehicle is not in reverse	Select reverse gear
IR remote does not work	Dead battery	Replace battery

For Your Records

Please keep your original sales receipt and be prepared to provide this receipt in the event you require service, as your original receipt is considered the best proof of purchase and indicates the date you purchased your Axera product.

Dealer Name _____

Dealer Phone _____

Purchase Date _____

Register Your Product

Register your product online at www.dualav.com.



Limited One Year Warranty

This warranty gives you specific legal rights. You may also have other rights which vary from state to state.

Dual Electronics Corp. warrants this product to the original purchaser to be free from defects in material and workmanship for a period of one year from the date of the original purchase.

Dual Electronics Corp. agrees, at our option, during the warranty period, to repair any defect in material or workmanship or to furnish an equal new, renewed or comparable product (whichever is deemed necessary) in exchange without charges, subject to verification of the defect or malfunction and proof of the date of purchase. Subsequent replacement products are warranted for the balance of the original warranty period.

Who is covered? This warranty is extended to the original retail purchaser for products purchased from an authorized Dual dealer and used in the U.S.A.

What is covered? This warranty covers all defects in material and workmanship in this product. The following are not covered: software, installation/removal costs, damage resulting from accident, misuse, abuse, neglect, product modification, improper installation, incorrect line voltage, unauthorized repair or failure to follow instructions supplied with the product, or damage occurring during return shipment of the product. Specific license conditions and copyright notices for the software can be found via www.dualav.com.

What to do?

1. Before you call for service, check the troubleshooting guide in your owner's manual. A slight adjustment of any custom controls may save you a service call.
2. If you require service during the warranty period, you must carefully pack the product (preferably in the original package) and ship it by prepaid transportation with a copy of the original receipt from the retailer to an authorized service center.
3. Please describe your problem in writing and include your name, a return UPS shipping address (P.O. Box not acceptable), and a daytime phone number with your shipment.
4. For more information and for the location of the nearest authorized service center please contact us by one of the following methods:
 - Call us toll-free at 1-866-382-5476
 - E-mail us at cs@dualav.com

Exclusion of Certain Damages: This warranty is exclusive and in lieu of any and all other warranties, expressed or implied, including without limitation the implied warranties of merchantability and fitness for a particular purpose and any obligation, liability, right, claim or remedy in contract or tort, whether or not arising from the company's negligence, actual or imputed. No person or representative is authorized to assume for the company any other liability in connection with the sale of this product. In no event shall the company be liable for indirect, incidental or consequential damages.

Specifications

FM Tuner	<p>Tuning range: 87.5MHz-107.9MHz Usable sensitivity: 10dBf 50dB quieting sensitivity: 20dBf Stereo separation @ 1kHz: 38dB Frequency response: 30Hz-13kHz</p>
AM Tuner	<p>Tuning range: 530kHz-1710kHz Usable sensitivity: 24uV Frequency response: 30Hz-2.3kHz</p>
Front USB	<p>Compatibility: High Speed USB 2.0 USB Class: Mass storage class</p>
Monitor	<p>Panel size: 10.1" diagonal measurement View angle (up/down/left/right): 50/70/70/70 Resolution: 1024 (H) x 600 (V) Brightness (cd/m²): 250 Contrast ratio: 450:1 Pixels: 1,843,200</p>
General	<p>Speaker output impedance: 4 ohms Line output voltage: 2 volt RMS Line output impedance: 200 ohms Chassis dimensions: 7" x 7" x 2" (W x D x H)</p> <p>Design and specifications subject to change without notice.</p>



CEA-2006 Power Standard Specifications
 (reference: 14.4VDC +/- 0.2V, 20Hz~20kHz)

Power Output: 16 Watts RMS x 4 channels at 4 ohms and $\leq 1\%$ THD+N
 Signal to Noise Ratio: 80dBA (reference: 1 watt into 4 ohms)



Dual Electronics Corp.
Toll Free: 1-866-382-5476
Monday-Friday, 9AM-5PM EST
www.dualav.com

©2020 Dual Electronics Corp. All rights reserved.

NSA0520