



DM1016S

INSTALLATION/OWNER'S MANUAL

10" Marine DVC Subwoofer

illuminITE[®]

Dual



Preparation/Installation

Please read entire manual before installation.

Before You Start

- Disconnect negative battery terminal. Consult a qualified technician for instructions.
- Use extreme caution when drilling holes to avoid damaging fuel lines, hydraulic lines or existing wiring.
- If additional wiring is required, we recommend that you run all wires prior to mounting your speaker in place.
- Use the highest quality connectors for a reliable installation and to minimize signal and power loss.
- Use caution before you drill or cut! Be careful not to cut or drill into gas tanks, fuel lines, hydraulic lines, vacuum lines or electrical wiring.
- Avoid running wires over, near, or through sharp edged surfaces. We suggest you also use rubber grommets to protect any wires routed through metal.

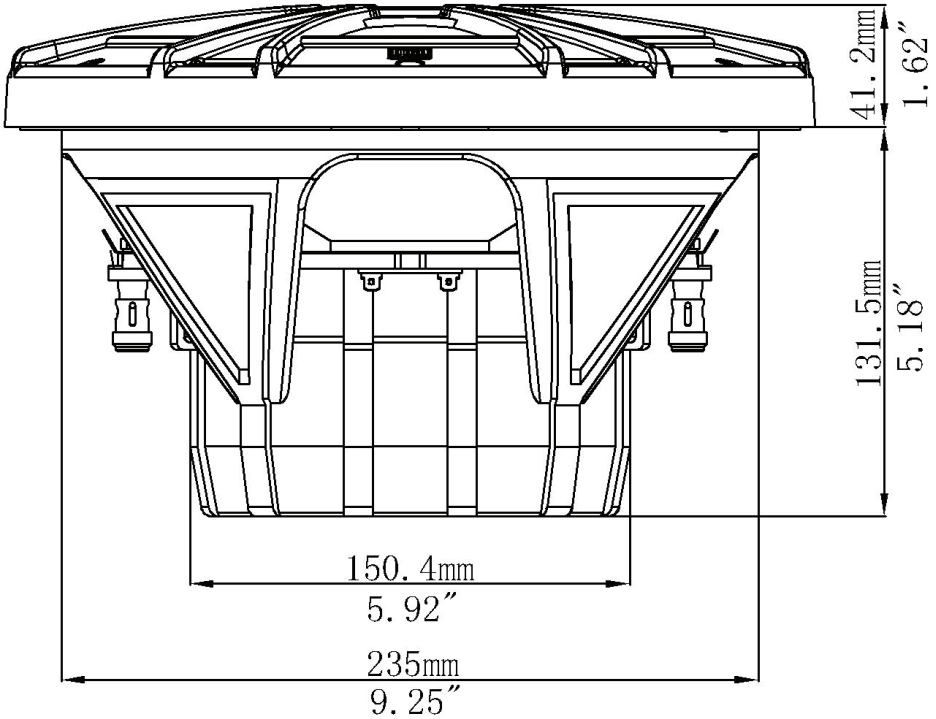
Mounting and Installation

- Determine where the speakers will be mounted. Ensure an area large enough for the speaker to mount evenly. Be sure the mounting location is deep enough for the speaker to fit.
- Using an appropriate tool, cut a 9.25" diameter mounting hole.
- Use the speaker as a template to mark the locations for the mounting screws. Drill the mounting screw holes with a 1/8" pilot bit. Route speaker wires and connect to speakers, observing speaker polarity.
- Install speaker into opening using supplied hardware and test for correct operation.

Note: Do not connect audio outputs from your amp or receiver to the illuminITE inputs of the speakers. This will damage the LEDs and void your warranty.

Mounting

The diagram below shows the dimensions required for proper mounting:





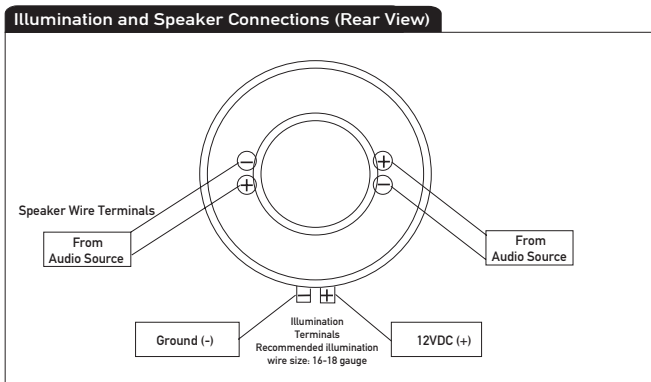
illuminITE®

Lighting Hook-Up Recommendations

The illuminite lighting elements of your speaker provides you with a unique custom touch to your vehicle. Dual's patent pending illuminite bulb system and control circuitry provides an extraordinary lighted-hue illumination which allows great creative opportunities for the beginner and seasoned custom installer alike. The interior of your vehicle will never sound or look ordinary again. Let your imagination take you there.

The lighting features of all illuminite products require a 12 volt DC power source to operate. The speaker has two distinct sets of input terminals. The first is labeled audio input terminals and the second is labeled illuminite lighting inputs. The inputs are clearly marked with a label positioned directly above the terminal housing. The polarity (+ and -) indicators for each set of inputs also appear on these labels.

1. Do not connect Amplifier or any audio source to illuminite lighting inputs. Inputs are designed for switched 12 volt DC power source only.
2. See fig. 1a, (illustrates wiring diagram) be sure to maintain polarity. Be sure to connect to a constant switched 12 volt DC source. Correct connection would be the positive (+) 12 volt wire to the Positive (+) illuminite Lighting input terminal and connect the Negative (-) illuminite lighting input terminal to a good chassis ground.



Note: The IlluminITE® series LED illumination elements are not removable. There are no serviceable parts inside or attached to the speaker assembly. The IlluminITE® series products are sensitive electronic devices. Removal or tampering with any part or portion of the speaker and/or its assemblies will damage the product and void the limited warranty.



Limited One Year Warranty

This warranty gives you specific legal rights. You may also have other rights which vary from state to state.

Dual Electronics Corp. warrants this product to the original purchaser to be free from defects in material and workmanship for a period of one year from the date of the original purchase.

Dual Electronics Corp. agrees, at our option, during the warranty period, to repair any defect in material or workmanship or to furnish an equal new, renewed or comparable product (whichever is deemed necessary) in exchange without charges, subject to verification of the defect or malfunction and proof of the date of purchase. Subsequent replacement products are warranted for the balance of the original warranty period.

Who is covered? This warranty is extended to the original retail purchaser for products purchased and used in the U.S.A.

What is covered? This warranty covers all defects in material and workmanship in this product. The following are not covered: installation/removal costs, damage resulting from accident, misuse, abuse, neglect, product modification, improper installation, incorrect line voltage, unauthorized repair or failure to follow instructions supplied with the product, or damage occurring during return shipment of the product.

What to do?

1. Before you call for service, check the troubleshooting guide in your owner's manual. A slight adjustment of any custom controls or connections discussed in your instruction booklet may save you a service call.
2. If you require service during the warranty period, you must carefully pack the product (preferably in the original package) and ship it by prepaid transportation with a copy of the original receipt from the retailer to an authorized service center.
3. Please describe your problem in writing and include your name, a USA return shipping address (P.O. Box not acceptable), and a daytime phone number with your shipment.
4. For more information and for the location of the nearest authorized service center please contact us by one of the following methods:

- Call us toll-free at 1-866-382-5476
- E-mail us at cs@dualav.com

Exclusion of Certain Damages: This warranty is exclusive and in lieu of any and all other warranties, expressed or implied, including without limitation the implied warranties of merchantability and fitness for a particular purpose and any obligation, liability, right, claim or remedy in contract or tort, whether or not arising from the company's negligence, actual or imputed. No person or representative is authorized to assume for the company any other liability in connection with the sale of this product. In no event shall the company be liable for indirect, incidental or consequential damages.



DM1016S SPECIFICATIONS

Specifications

Woofers size	10"
Woofers surround	Rubber
RMS Power	500W
Peak Power	1500W
Sensitivity	86dB
Frequency response	36Hz - 1kHz
Impedance	4 Ohms + 4 Ohms
Basket material	UV-resistant ABS
Fs (Hz)	36.74Hz
Re	6.73 Ohms in series
Le (mH)	1.848
Qms	5.57
Qes	0.50
Qts	0.45
Vas (Liters)	30.63
Sd	336.54 cm.
Minimum sealed enclosure	.45 cubic feet
Optimum sealed enclosure	.87 cubic feet
Minimum ported enclosure	1.0 cubic feet
Optimum ported enclosure	1.89 cubic feet

Design and specifications subject to change without notice.



Dual Electronics Corp.
Toll Free: 1-866-382-5476
9AM-5PM EST, Monday-Friday

www.dualav.com
©2016 Dual Electronics Corp. All rights reserved.

Other trademarks and trade names are those of their respective owners.

NSA0716-V01