



# Quick Start Guide

## Marine Digital Media Receiver



To download the complete,  
model-specific manual, please visit  
[www.dualav.com](http://www.dualav.com)  
or call 1-866-382-5476,  
9AM-5PM EST (Monday-Friday).

# Installation

## Before You Start

- Consult a qualified technician for instructions. Dual always recommends professional installation.
- Disconnect negative battery terminal.
- Remove trim ring from unit (if installed).
- Insert the removal keys, and remove the mounting sleeve from the head unit.

**Note:** Most boats require an installation kit, wiring harness and/or antenna adapter (all sold separately) to properly install the head unit in the boat.

## Installation Process

1. Carefully remove the existing head unit.
2. Connect wiring harness. Consult a qualified technician if you are unsure.
3. Mount the head unit using the mounting sleeve or ISO brackets (depending on your boat's dashboard).
4. Connect wiring harness and antenna. Test the head unit for correct operation.
5. Snap trim ring into place.

## Wiring Connections

The chart below the connection for each wire in the wiring harness.

| Color        | Connection                  |
|--------------|-----------------------------|
| Red          | 12V Ignition / Accessory    |
| Yellow       | 12V Battery / Memory        |
| Black        | Ground                      |
| Blue         | Power Antenna / Amp Turn-on |
| White        | Left Front (+)              |
| White/Black  | Left Front (-)              |
| Gray         | Right Front (+)             |
| Gray/Black   | Right Front (-)             |
| Green        | Left Rear (+)               |
| Green/Black  | Left Rear (-)               |
| Violet       | Right Rear (+)              |
| Violet/Black | Right Rear (-)              |

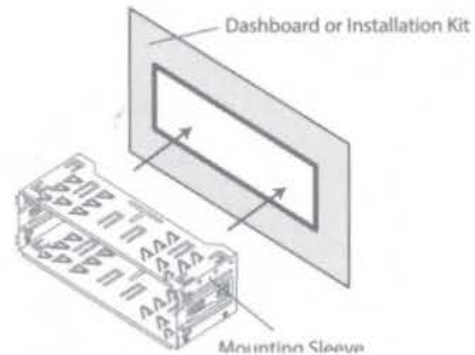
**Tip:**  
When a suitable ground wire is not present in the boat wiring harness, connect the black ground wire to the boat chassis.

**Fuse:**  
When replacing the fuse, make sure new fuse is the correct type and amperage. Using an incorrect fuse could damage the radio.

## Mounting the Head Unit: Typical DIN mounting

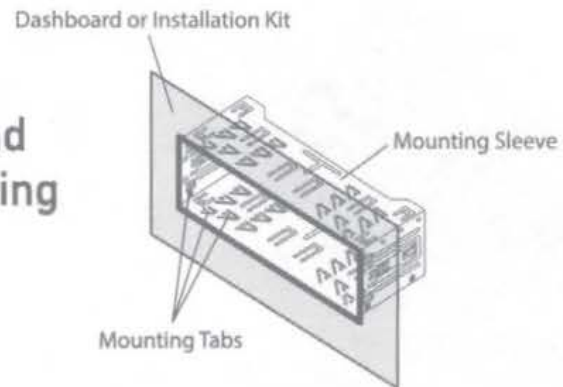
### Step 1:

Insert the mounting sleeve into the installation kit or dashboard.



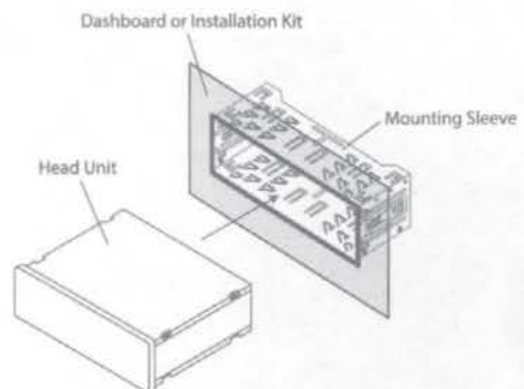
### Step 2:

Bend multiple mounting tabs around the mounting sleeve until the mounting sleeve is secure.



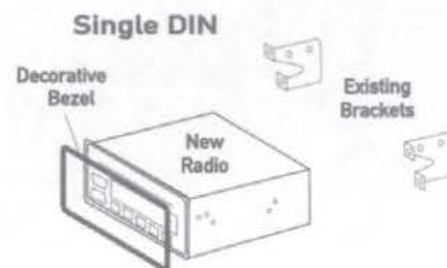
### Step 3:

Connect all wiring harnesses and slide the head unit into the mounting sleeve until it clicks into place.







## Mounting the Head Unit: ISO mounting

Using the existing brackets or the brackets supplied with the installation kit, mount the brackets to the sides of the head unit with the screws supplied with the head unit.



# General Operation

|                          |  |
|--------------------------|--|
| <b>Power On/Off</b>      | Press the  button to turn the unit on. Press  again to turn unit off.                            |
| <b>Changing Modes</b>    | Press <b>SOURCE</b> to select between Radio, USB, Bluetooth, AUX.<br>Modes of operation are shown in the display.  |
| <b>Volume</b>            | Adjust volume using volume knob.   |
| <b>Dimmer</b>            | Press <b>DIM</b> to select the dimmer level and adjust it.   |
| <b>Mute</b>              | Press  to silence the audio. Press  again to resume listening at the previously selected volume. |
| <b>Auxiliary Inputs</b>  | Insert a 3.5mm cable in the unit's front AUX port.   |
| <b>Reset</b>             | Press the <b>RESET</b> button to reset the unit back to the factory settings if abnormal operation occurs. The reset button is located near AUX port on the front panel.   |
| <b>Setting the Clock</b> | With the unit on, press <b>DISP</b> to display clock time. Press and hold <b>DISP</b> until the hours or minutes begin to flash, then release. Rotate the volume knob to adjust the time.  |
| <b>Display</b>           | Press <b>DISP</b> to toggle display between various displayed information.   |
| <b>Audio / Menu</b>      | Press volume knob momentarily to select between the audio functions. Press and hold volume knob for more than two seconds to select between the menu functions. Rotate the volume knob left/right to adjust or activate the desired function/audio.                |
| <b>Audio Zone</b>        | Press and hold the volume Knob to select the menu, ZONE1 and ZONE2. Rotate the volume Knob right to adjust ZONE OFF, ZONE1 ON, ZONE2 ON, and ZONE1 and 2 on.<br>(Included IR remote can also control them.)  |



To download the complete Owner's Manual for your radio,  
please visit [www.dualav.com](http://www.dualav.com)

# AM/FM Tuner Operation

|                          |   |
|--------------------------|---|
| <b>Seek Tuning</b>       | Press and hold <b>TUNE</b> ◀◀ or <b>TUNE</b> ▶▶ for 2 secs and release it to auto seek to previous or next strong station.  |
| <b>Manual Tuning</b>     | Press <b>TUNE</b> ◀◀ or <b>TUNE</b> ▶▶ momentarily to change radio frequency down or up one step at a time. Press and hold <b>TUNE</b> ◀◀ or <b>TUNE</b> ▶▶ for 3 secs to advance quickly and release it to stop on the desired station.    |
| <b>Band</b>              | Press <b>BAND</b> to select between FM1, FM2, FM3, AM1 and AM2 bands. Up to six presets can be programmed for each band, enabling up to 18 FM stations and 12 AM stations to be stored in memory.   |
| <b>Storing Presets</b>   | Up to 18 FM and 12 AM stations can be stored. To store a station, select the desired band and station. Press and hold the desired preset button (1-6) for more than two seconds. When stored, the preset number will appear in the display. |
| <b>Recalling Presets</b> | Preset stations can be recalled any time by pressing the corresponding preset button.   |
| <b>Auto store</b>        | Press and hold the volume knob for more than 2 seconds to display Auto Store, then press <b>DISP</b> to store 18 FM stations and 12 AM stations automatically.  |



To download the complete Owner's Manual for your radio,  
please visit [www.dualav.com](http://www.dualav.com)

# USB Operation

|                                 |   |
|---------------------------------|---|
| <b>Playing MP3 Files</b>        | To play MP3 files, insert a USB device containing MP3 files.  |
| <b>Track Select</b>             | Press <b>TUNE</b> ►► to skip to the beginning of the next song.<br>Press <b>TUNE</b> ◀◀ to skip to the beginning of the previous song.  |
| <b>Fast Forward and Reverse</b> | Press and hold <b>TUNE</b> ►► or <b>TUNE</b> ◀◀ to fast forward or reverse a track.   |
| <b>Pause</b>                    | Press ►/   to temporarily stop playback.<br>Press ►/   again to resume playback.  |
| <b>Folder Access</b>            | Folder can be found by pressing Folder Up or Folder Down. About 1 second after the folder name is displayed, the first file under the selected folder will be displayed and playback.   |
| <b>Repeat</b>                   | Press <b>RPT</b> to toggle between RPT ALL, RPT FLD and RPT ONE. <ul style="list-style-type: none"><li>• RPT ALL - Plays all tracks on USB device.</li><li>• RPT ONE - Continuously repeats selected track.</li><li>• RPT FLD - Continuously repeats all files in current folder.</li></ul> |
| <b>Random</b>                   | Press <b>RDM</b> to play tracks in random order, press again to cancel the <b>RDM</b> function.   |
| <b>Intro</b>                    | Press <b>INT</b> to plays first 10 seconds of each track, press again to cancel the <b>INT</b> function.  |



To download the complete Owner's Manual for your radio,  
please visit [www.dualav.com](http://www.dualav.com)

# Bluetooth® Operation

## Preparation

Before using a Bluetooth device, it must be paired and connected. Ensure that Bluetooth is activated on your device before beginning the pairing process.

## Pairing a New Device

The head unit broadcasts the pairing signal constantly when no devices are connected. Complete the pairing sequence from your Bluetooth device. Refer to the owner's manual for your device for more details.

The device name is "Dual Media Player"


**Note:** The head unit can be in any mode of operation when pairing is performed.

## Streaming Audio Troubleshooting

The head unit supports A2DP wireless streaming audio from a Bluetooth mobile device directly to your head unit. The following functions can be used to control the music:

- Press ►► to skip to the next available audio track.
- Press ◀◀ to skip to the previous audio track.
- Press ►/|| to toggle between play and pause during playback.

# Voice Activation Operation

Bluetooth should be paired between your smartphone and the receiver. Press the voice activation button , and the receiver will switch into Bluetooth mode. This will activate Siri® or Google Assistant™ on your smartphone. You will need to manually switch back to the previous or desired mode once this operation is terminated.

# Limited Two-Year Warranty

This warranty gives you specific legal rights. You may also have other rights which vary from state to state. Dual Electronics Corp. warrants this product to the original purchaser to be free from defects in material and workmanship for a period of two year from the date of the original purchase. (Please visit [www.dualav.com](http://www.dualav.com) for details.) Dual Electronics Corp. agrees, at our option, during the warranty period, to repair any defect in material or workmanship or to furnish an equal new, renewed or comparable product (whichever is deemed necessary) in exchange without charges, subject to verification of the defect or malfunction and proof of the date of purchase. Subsequent replacement products are warranted for the balance of the original warranty period.

**Who is covered?** This warranty is extended to the original retail purchaser for products purchased and used in the U.S.A.

**What is covered?** This warranty covers all defects in material and workmanship in this product. The following are not covered: installation/removal costs, damage resulting from accident, misuse, abuse, neglect, product modification, improper installation, incorrect line voltage, unauthorized repair or failure to follow instructions supplied with the product, or damage occurring during return shipment of the product.

## What to do?

1. Before you call for service, check the troubleshooting guide in your owner's manual. A slight adjustment of any custom controls may save you a service call.
2. If you require service during the warranty period, you must carefully pack the product (preferably in the original package) and ship it by prepaid transportation with a copy of the original receipt from the retailer to an authorized service center.
3. Please describe your problem in writing and include your name, a return UPS shipping address (P.O. Box not acceptable), and a daytime phone number with your shipment.
4. For more information and for the location of the nearest authorized service center please contact us toll-free at 1-866-382-5476 or by email at [cs@dualav.com](mailto:cs@dualav.com).

**Exclusion of Certain Damages:** This warranty is exclusive and in lieu of any and all other warranties, expressed or implied, including without limitation the implied warranties of merchantability and fitness for a particular purpose and any obligation, liability, right, claim or remedy in contract or tort, whether or not arising from the company's negligence, actual or imputed. No person or representative is authorized to assume for the company any other liability in connection with the sale of this product. In no event shall the company be liable for indirect, incidental or consequential damages.



# FCC Compliance

This device complies with Part 15 of the FCC Rules. Operation is subject to the following two conditions:

- (1) this device may not cause harmful interference, and
- (2) this device must accept any interference received, including interference that may cause undesired operation.

**Warning:** Changes or modifications to this unit not expressly approved by the party responsible for compliance could void the user's authority to operate the equipment.

**Note:** This equipment has been tested and found to comply with the limits for a Class B digital device, pursuant to Part 15 of the FCC Rules. These limits are designed to provide reasonable protection against harmful interference in a residential installation. This equipment generates, uses and can radiate radio frequency energy and, if not installed and used in accordance with the instructions, may cause harmful interference to radio communications. However, there is no guarantee that interference will not occur in a particular installation. If this equipment does cause harmful interference to radio or television reception, which can be determined by turning the equipment off and on, the user is encouraged to try to correct the interference by one or more of the following measures:

- Reorient or relocate the receiving antenna.
- Increase the separation between the equipment and receiver.
- Connect the equipment into an outlet on a circuit different from that to which the receiver is connected.
- Consult the dealer or an experienced radio technician for help.



Dual Electronics Corp.  
Toll Free: 1-866-382-5476  
Monday-Friday, 9AM-5PM  
[www.dualav.com](http://www.dualav.com)

©2023 Dual Electronics Corp. All rights reserved.

The Bluetooth® word mark and logos are registered trademarks owned by Bluetooth SIG, Inc.

Siri and Apple are registered trademarks owned by Apple Inc.

Google Assistant and Android are trademarks owned by Google LLC.

Other trademarks and trade names are those of their respective owners.

NSC0423-V01



# MXD13

## INSTALLATION/OWNER'S MANUAL

Marine AM/FM Receiver with Bluetooth

**MP3**

**USB**

**AUX**

**Bluetooth®**





## Preparation

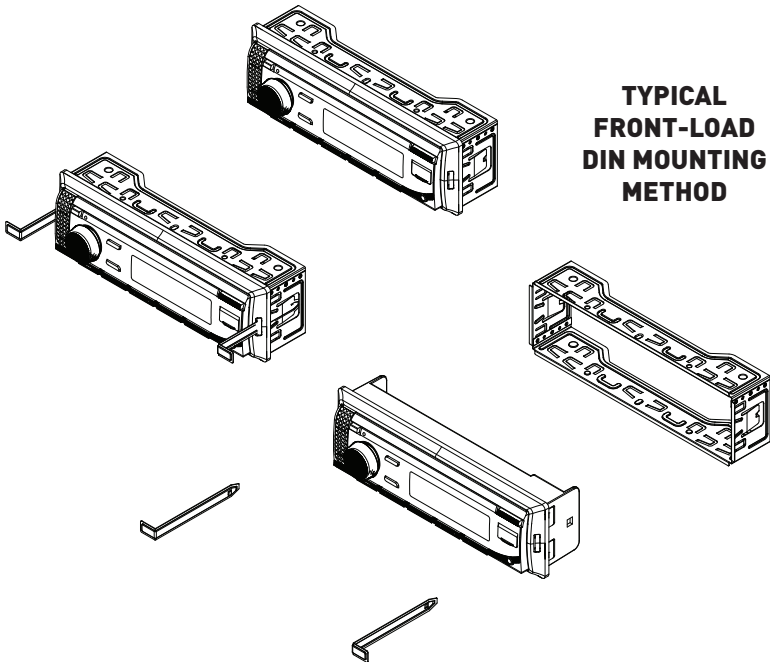
Please read entire manual before installation.

### Before You Start

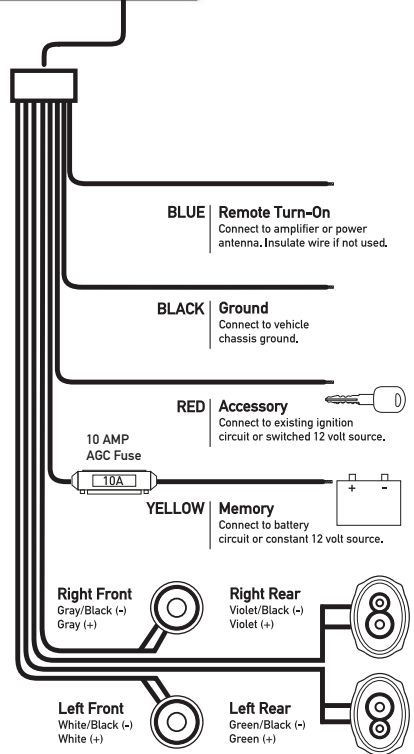
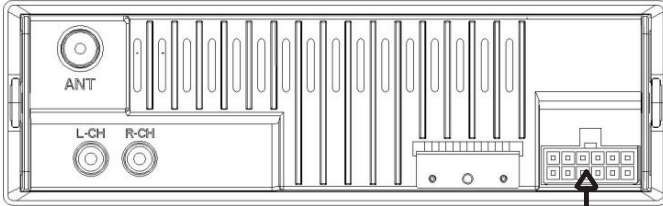
- Disconnect negative battery terminal. Consult a qualified technician for instructions.

### Getting Started

- Insert the supplied keys into the slots as shown, and slide the unit out of the mounting sleeve.
- Install mounting sleeve into opening, bending tabs to secure.
- Connect wiring harness and antenna. Consult a qualified technician if you are unsure.
- Test for correct operation and slide into mounting sleeve to secure.
- Snap trim ring into place.



# Wiring Diagram



**FUSE**

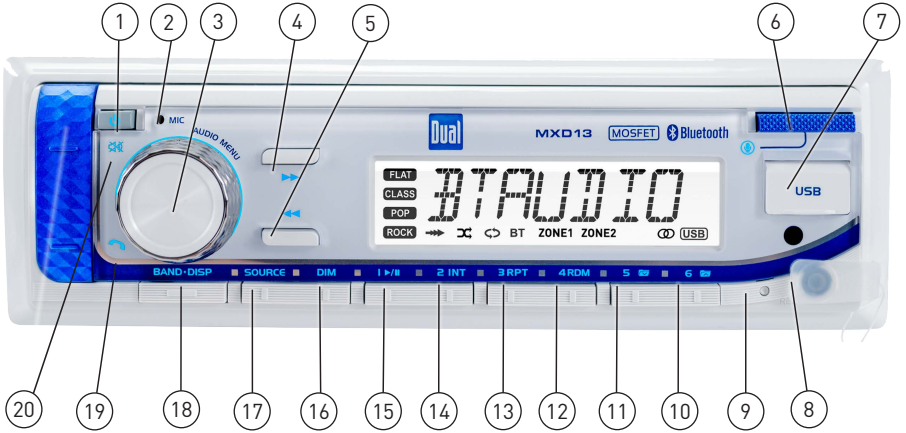
When replacing the fuse, make sure new fuse is the correct type and amperage. Using an incorrect fuse could damage the radio.

The unit uses one 10 amp AGC fuse located beside the Heat Sink







## MXD13 OPERATION

# Control Locations



- |                     |                          |                         |
|---------------------|--------------------------|-------------------------|
| ① Power             | ⑧ Auxiliary Input        | ⑮ Preset 1 / Play/Pause |
| ② Microphone        | ⑨ Reset                  | ⑯ Dimmer                |
| ③ Volume / Audio    | ⑩ Preset 6 / Folder Up   | ⑰ Source                |
| ④ Tune / Track Up   | ⑪ Preset 5 / Folder Down | ⑱ Band/Display          |
| ⑤ Tune / Track Down | ⑫ Preset 4 / Random      | ⑲ Bluetooth Talk        |
| ⑥ Voice Assist      | ⑬ Preset 3 / Repeat      | ⑳ Mute                  |
| ⑦ USB Port          | ⑭ Preset 2 / Intro       |                         |

## General Operation

|                          |  |
|--------------------------|--|
| <b>Power On/Off</b>      | Press the  button to turn the unit on. Press  again to turn the unit off.  |
| <b>Changing Modes</b>    | Press <b>SOURCE</b> to select between Radio, USB, Auxiliary Input and Bluetooth. Sources of operation are shown in the display.  |
| <b>Volume</b>            | Adjust volume using the <b>volume knob</b> .   |
| <b>Mute</b>              | Press  to silence the audio. Press  again to resume listening at the previously selected volume.   |
| <b>Display</b>           | Press <b>DISP</b> to toggle between various displayed information.   |
| <b>Dimmer</b>            | Press <b>DIM</b> to select the dimmer level: DIM HI/DIM MED/DIM LOW.   |
| <b>Auxiliary Inputs</b>  | Insert a 3.5mm cable in the unit's front AUX port.   |
| <b>Setting the Clock</b> | <p>With the unit on, press <b>BAND/DISP</b> to display clock time. Press and hold <b>BAND/DISP</b> until the hours begins to flash, then release.</p> <p>Rotate the <b>volume knob</b> left or right to adjust the hours, then press <b>BAND/DISP</b>. When the minutes begins to flash, rotate the <b>volume knob</b> left or right to adjust the minutes.</p> <p>Press <b>BAND/DISP</b> momentarily to save the selected time.</p> |
| <b>Reset</b>             | Press the <b>RESET</b> button to reset the unit back to the factory settings if abnormal operation occurs. The reset button is located on the front panel.   |
| <b>Audio / Menu</b>      | <p>Press the <b>volume knob</b> momentarily to select between audio functions.</p> <p>Press and hold the <b>volume knob</b> for more than two seconds to select between the menu functions.</p> <p>Rotate the <b>volume knob</b> left/right to adjust or activate the desired function/audio.</p>  |
| <b>Audio Zone</b>        | Press and hold the volume Knob to select the menu. ZONE 1 and ZONE 2. Rotate the volume Knob right to adjust ZONE OFF. ZONE1 ON. ZONE 2 ON. and ZONE 1 and 2 on.<br>(Included IR remote can also control them.)  |



## AM/FM Tuner Operation

|                             |   |
|-----------------------------|---|
| <b>Seek Tuning</b>          | Press and hold <b>TUNE</b> ◀◀ or <b>TUNE</b> ▶▶ for two seconds to auto seek to the previous or next strong station.  |
| <b>Manual Tuning</b>        | Press <b>TUNE</b> ◀◀ or <b>TUNE</b> ▶▶ momentarily to change radio frequency up or down one step at a time. Press and hold <b>TUNE</b> ◀◀ or <b>TUNE</b> ▶▶ for three seconds to advance quickly, then release it to stop on desired station. |
| <b>Band</b>                 | Press <b>BAND</b> to select between FM1, FM2, FM3, AM1 and AM2 bands. Up to six presets can be programmed for each band, enabling up to 18 FM stations and 12 AM stations to be stored in memory.   |
| <b>Storing Presets</b>      | To store a station, select the desired band and station. Press and hold the desired preset button (1-6) for more than two seconds. When stored, the preset number will appear in the display.   |
| <b>Recalling Presets</b>    | Preset stations can be recalled anytime by pressing the corresponding preset button.  |
| <b>Automatically Store</b>  | Press and hold the <b>volume knob</b> for more than two seconds, then press <b>DISP</b> to 18 FM stations and 12 AM stations automatically.   |
| <b>Preset Scan Stations</b> | Touch <b>PS</b> to recall each preset station that has been stored in memory for each band.   |

---

## USB Operation

|                                 |   |
|---------------------------------|---|
| <b>Playing MP3 Files</b>        | To play MP3 files, insert a USB device containing MP3 files.  |
| <b>Track Select</b>             | Press <b>TUNE</b> ►► to skip to the beginning of the next track. Press <b>TUNE</b> ◀◀ to skip to the beginning of the previous track.   |
| <b>Fast Forward and Reverse</b> | Press and hold <b>TUNE</b> ►► or <b>TUNE</b> ◀◀ to fast forward or reverse a track.   |
| <b>Pause</b>                    | Press ►/II to temporarily stop USB playback.<br>Press ►/II again to resume playback.  |
| <b>Folder Access</b>            | Folders can be found by pressing Folder Up or Folder Down. About one second after the folder name is displayed, the first file under the selected folder will be displayed and playback will begin.                   |
| <b>Repeat</b>                   | Press <b>RPT</b> to toggle between RPT ALL, RPT FLR and RPT ONE. <ul style="list-style-type: none"><li>• RPT ALL - Plays all tracks on USB device.</li><li>• RPT ONE - Continuously repeats selected track.</li></ul> |
| <b>Random</b>                   | Press <b>RDM</b> to play tracks in random order; press again to cancel the RDM function.  |
| <b>Intro</b>                    | Press <b>INT</b> to play the first 10 seconds of each track; press again to cancel the INT function.  |





## Bluetooth Operation

### Preparation

Before using a Bluetooth device, it must be paired and connected. Ensure that Bluetooth is activated on your device before beginning the pairing process.

### Pairing a New Device

The head unit broadcasts the pairing signal constantly when no devices are connected. Complete the pairing sequence from your Bluetooth device. Refer to the owner's manual for your device for more details.

The device name is "Dual Media Player".  
The Bluetooth passcode is "1234".

**Note:** If passcode "1234" does not pair your device to the receiver, use passcode "0000".

**Note:** The head unit can be in any mode of operation when pairing is performed.

### Streaming Audio Troubleshooting

The head unit supports A2DP wireless streaming audio from a Bluetooth mobile device directly to your head unit.

The following functions can be used to control the music:

- Press ►► to skip to the next available audio track.
- Press ◀◀ to skip to the previous audio track.
- Press ►/ || to toggle between play and pause during playback.



---

## Voice Activation

Your receiver is designed with an easy access voice activation button to use Siri® or the Google Assistant™ via your car's Bluetooth. Interact with your smartphone assistant while you drive with only the push of a button!

Bluetooth should be paired between your smartphone and the receiver. Press the voice activation button, and the receiver will switch into Bluetooth mode, This will activate Siri® or Google Assistant™ on your smartphone. You will need to manually switch back to the previous or desired mode once this operation is terminated.



# Specifications

**FM Tuner**

Tuning range: **87.5MHz-107.9MHz**  
Usable sensitivity: **8.5dBf**  
50dB quieting sensitivity: **10dBf**  
Stereo separation @ 1kHz: **>30dB**  
Frequency response: **30Hz-13kHz**

**AM Tuner**

Tuning range: **530kHz-1710kHz**  
Usable sensitivity: **<42dBu**  
Frequency response: **30Hz-2.2kHz**

**General**

Speaker output impedance: **4~8 ohms**  
Line output voltage: **1.2 Volts RMS**  
Dimensions: **7" x 2" x 2" (178 x 50 x 50 mm)**

Design and specifications subject to change without notice.



**CEA-2006 Power Standard Specifications**  
(reference: 14.4VDC +/- 0.2V, 20Hz~20kHz)

Power Output: 14 Watts RMS x 4 channels at 4 ohms and  $\leq$  1% THD+N  
Signal to Noise Ratio: 75dBA (reference: 1 watt into 4 ohms)

## Troubleshooting

| Problem                                 | Cause   | Action   |
|---|---|--|
| <b>Unit will not turn on (no power)</b> | Yellow wire not connected or incorrect voltage<br>Red wire not connected or incorrect voltage | Check connections for proper voltage (11~16VDC)                    |
|   | Black wire not connected  | Check connection to ground   |
|   | Fuse blown  | Replace fuse   |
| <b>Unit has power (but no sound)</b>    | Speaker wires not connected   | Check connections at speakers                                      |
|   | One or more speaker wires touching each other or touching chassis ground                      | Insulate all bare speaker wires from each other and chassis ground |
| <b>Unit blows fuses</b>                 | Yellow or red wire touching chassis ground  | Check for pinched wire   |
|   | Speaker wires touching chassis ground   | Check for pinched wire   |
|   | Incorrect fuse rating   | Use fuse with correct rating                                       |
| <b>NO FILE appears on display</b>       | No playable MP3 files found on the device   | Check the device for valid MP3 files                               |
| <b>NO SUPPORT appears on display</b>    | An invalid ID3 tag version is present   | Version 1.0 to 2.0 ID3 tags are supported.                         |



---

## Limited Two-Year Warranty

This warranty gives you specific legal rights. You may also have other rights which vary from state to state.

Dual Electronics Corp. warrants this product to the original purchaser to be free from defects in material and workmanship for a period of **two years** from the date of the original purchase.

Dual Electronics Corp. agrees, at our option, during the warranty period, to repair any defect in material or workmanship or to furnish an equal new, renewed or comparable product (whichever is deemed necessary) in exchange without charges, subject to verification of the defect or malfunction and proof of the date of purchase. Subsequent replacement products are warranted for the balance of the original warranty period.

**Who is covered?** This warranty is extended to the original retail purchaser for products purchased from an authorized Dual dealer and used in the U.S.A.

**What is covered?** This warranty covers all defects in material and workmanship in this product. The following are not covered: software, installation/removal costs, damage resulting from accident, misuse, abuse, neglect, product modification, improper installation, incorrect line voltage, unauthorized repair or failure to follow instructions supplied with the product, or damage occurring during return shipment of the product. Specific license conditions and copyright notices for the software can be found via [www.dualav.com](http://www.dualav.com).

### What to do?

1. Before you call for service, check the troubleshooting guide in your owner's manual. A slight adjustment of any custom controls may save you a service call.
2. If you require service during the warranty period, you must carefully pack the product (preferably in the original package) and ship it by prepaid transportation with a copy of the original receipt from the retailer to an authorized service center.
3. Please describe your problem in writing and include your name, a return UPS shipping address (P.O. Box not acceptable), and a daytime phone number with your shipment.
4. For more information and for the location of the nearest authorized service center please contact us by one of the following methods:

- Call us toll-free at 1-866-382-5476
- E-mail us at [cs@dualav.com](mailto:cs@dualav.com)

**Exclusion of Certain Damages:** This warranty is exclusive and in lieu of any and all other warranties, expressed or implied, including without limitation the implied warranties of merchantability and fitness for a particular purpose and any obligation, liability, right, claim or remedy in contract or tort, whether or not arising from the company's negligence, actual or imputed. No person or representative is authorized to assume for the company any other liability in connection with the sale of this product. In no event shall the company be liable for indirect, incidental or consequential damages.



---

## FCC Compliance

This device complies with Part 15 of the FCC Rules. Operation is subject to the following two conditions:

- (1) this device may not cause harmful interference, and
- (2) this device must accept any interference received, including interference that may cause undesired operation.

**Warning:** Changes or modifications to this unit not expressly approved by the party responsible for compliance could void the user's authority to operate the equipment.

**Note:** This equipment has been tested and found to comply with the limits for a Class B digital device, pursuant to Part 15 of the FCC Rules. These limits are designed to provide reasonable protection against harmful interference in a residential installation. This equipment generates, uses and can radiate radio frequency energy and, if not installed and used in accordance with the instructions, may cause harmful interference to radio communications. However, there is no guarantee that interference will not occur in a particular installation. If this equipment does cause harmful interference to radio or television reception, which can be determined by turning the equipment off and on, the user is encouraged to try to correct the interference by one or more of the following measures:

- Reorient or relocate the receiving antenna.
- Increase the separation between the equipment and receiver.
- Connect the equipment into an outlet on a circuit different from that to which the receiver is connected.
- Consult the dealer or an experienced radio/TV technician for help.



**Dual Electronics Corp.**  
**Toll Free: 1-866-382-5476**

[www.dualav.com](http://www.dualav.com)  
©2024 Dual Electronics Corp. All rights reserved.

Other trademarks and trade names are those of their respective owners.

NSA1223-V01



# **DMP623/DMP623B**

---

## **INSTALLATION/OWNER'S MANUAL**

**6.5" Dual Cone Marine Speakers**







## Preparation/Installation

Please read entire manual before installation.

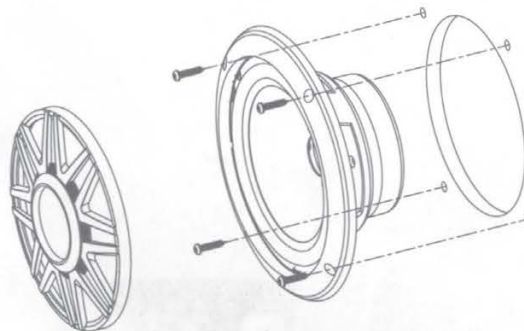
### Before You Start

- Disconnect negative battery terminal. Consult a qualified technician for instructions.
- Use extreme caution when drilling holes to avoid damaging fuel lines, hydraulic lines or existing wiring.
- If additional wiring is required, we recommend that you run all wires prior to mounting your speaker in place.
- Use the highest quality connectors for a reliable installation and to minimize signal and power loss.
- Use caution before you drill or cut! Be careful not to cut or drill into gas tanks, fuel lines, hydraulic lines, vacuum lines or electrical wiring.
- Avoid running wires over, near, or through sharp edged surfaces. We suggest you also use rubber grommets to protect any wires routed through metal.

### Mounting and Installation

- Determine where the speakers will be mounted. Ensure an area large enough for the speaker to mount evenly. Be sure the mounting location is deep enough for the speaker to fit.
- Using an appropriate tool, cut a 5.13" diameter mounting hole.
- Remove grille from speaker by inserting the release key into the locking tab slots located at the top and bottom of the grille. Gently apply pressure towards the center of the grille to release the locking tabs.
- Use the speaker as a template to mark the locations for the mounting screws. Drill the mounting screw holes with a 1/8" pilot bit. Route speaker wires and connect to speakers, observing speaker polarity.
- Install speaker into opening using supplied hardware and test for correct operation.
- Align the speaker grille locking tabs and snap grille into place.

RELEASE KEY



TYPICAL MOUNTING



## Limited One Year (Or Two Year\*) Warranty

This warranty gives you specific legal rights. You may also have other rights which vary from state to state.

**Dual Electronics Corp.** warrants this product to the original purchaser to be free from defects in material and workmanship for a period of one year from the date of the original purchase.

**Dual Electronics Corp.** agrees, at our option, during the warranty period, to repair any defect in material or workmanship or to furnish an equal new, renewed or comparable product (whichever is deemed necessary) in exchange without charges, subject to verification of the defect or malfunction and proof of the date of purchase. Subsequent replacement products are warranted for the balance of the original warranty period.

**Who is covered?** This warranty is extended to the original retail purchaser for products purchased from an authorized **DUAL** dealer and used in the U.S.A.

**What is covered?** This warranty covers all defects in material and workmanship in this product. The following are not covered: software, installation/removal costs, damage resulting from accident, misuse, abuse, neglect, product modification, improper installation, incorrect line voltage, unauthorized repair or failure to follow instructions supplied with the product, or damage occurring during return shipment of the product. Specific license conditions and copyright notices for the software can be found via [www.dualav.com](http://www.dualav.com).

### Warranty Coverage

Limited 1-year warranty when purchased from an authorized **Dual** dealer.

or

\*Limited 2-year warranty when purchased from and professionally installed by an authorized **Dual** dealer.(Proof of purchase and Installation required)

### What to do?

1. Before you call for service, check the troubleshooting guide in your owner's manual. A slight adjustment of any custom controls may save you a service call.
2. If you require service during the warranty period, you must carefully pack the product (preferably in the original package) and ship it by prepaid transportation with a copy of the original receipt from the retailer to an authorized service center.
3. Please describe your problem in writing and include your name, a return UPS shipping address (P.O. Box not acceptable), and a daytime phone number with your shipment.
4. For more information and for the location of the nearest authorized service center please contact us by one of the following methods:

- Call us toll-free at 1-866-382-5476
- E-mail us at [cs@dualav.com](mailto:cs@dualav.com)

**Exclusion of Certain Damages:** This warranty is exclusive and in lieu of any and all other warranties, expressed or implied, including without limitation the implied warranties of merchantability and fitness for a particular purpose and any obligation, liability, right, claim or remedy in contract or tort, whether or not arising from the company's negligence, actual or imputed. No person or representative is authorized to assume for the company any other liability in connection with the sale of this product. In no event shall the company be liable for indirect, incidental or consequential damages.



## DMP623/DMP623B SPECIFICATIONS

# Specifications

|                           |                       |
|---------------------------|-----------------------|
| <b>Outside Diameter</b>   | 7.13"                 |
| <b>Mounting Depth</b>     | 2.13"                 |
| <b>Mounting Height</b>    | .87"                  |
| <b>Cut-out Diameter</b>   | 5.13"                 |
| <b>Frequency Response</b> | 45Hz-15kHz            |
| <b>Sensitivity</b>        | 88dB 1W/1M            |
| <b>Impedance</b>          | 4 ohms                |
| <b>RMS Power</b>          | 20 Watts per speaker  |
| <b>Peak Power</b>         | 100 Watts per speaker |

Design and specifications subject to change without notice.



Dual Electronics Corp.  
Toll Free: 1-866-382-5476  
9AM-5PM EST, Monday-Friday

[www.dualav.com](http://www.dualav.com)  
©2023 Dual Electronics Corp. All rights reserved.



[www.dualav.com](http://www.dualav.com)

Follow us to keep up to date with new products and information!

**Facebook**  
@DualElectronics

**Instagram**  
@DualElectronics

**Twitter**  
@DualElectronicsCorp

## Register your warranty



Scan to register, or visit:

[www.dualav.com/register](http://www.dualav.com/register)

Upon registration you may also choose to be notified of product updates or special promotions.

Visit [www.dualav.com](http://www.dualav.com) for detailed owner's manuals on most products.

If you need any assistance, please contact customer service at [cs@dualav.com](mailto:cs@dualav.com) or call **1-866-382-5476** M-F 9 am - 5 pm ET

Thank you for your purchase!