



# MGH5

---

## INSTALLATION/OWNER'S MANUAL

Gauge Hole Receiver with Bluetooth®

**MP3**

**WB**

**AUX**

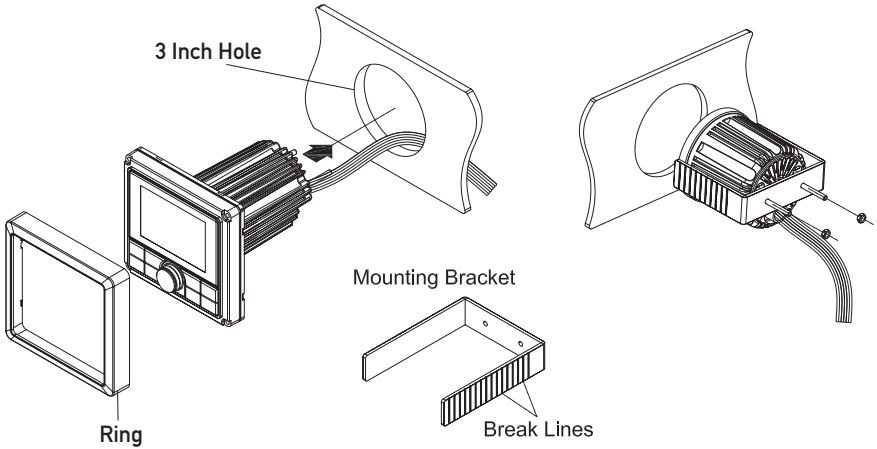
**USB**

 **Bluetooth®**

**Dual®**

## Mounting & Wiring

Once a suitable location has been determined, drill the hole and secure the stereo using the metal mounting bracket. If the bracket needs to be shortened, remove the appropriate number of breakaway segments using a pair of pliers.



**12 Pin Wiring Diagram**

| Color        | Connection             |
|--------------|------------------------|
| Yellow       | Battery B+             |
| Red          | 12V Ignition/Accessory |
| Black        | Ground                 |
| Blue         | Remote Turn On B+      |
| White        | Left Front(+)          |
| White/Black  | Left Front(-)          |
| Grey         | Right Front(+)         |
| Grey/Black   | Right Front(-)         |
| Green        | Left Rear(+)           |
| Green/Black  | Left Rear(-)           |
| Violet       | Right Rear(+)          |
| Violet/Black | Right Rear(-)          |

|  |  |  |
|--|--|--|
| <p><b>ANTENNA</b></p> <p>ANTENNA INTERFACE</p> | <p><b>CAMERA INPUT</b></p> <p>CAMERA INTERFACE INPUT</p> | <p><b>USB INPUT</b></p> <p>USB CONNECTOR</p> |
|--|--|--|

**PREAMP CONNECTIONS**

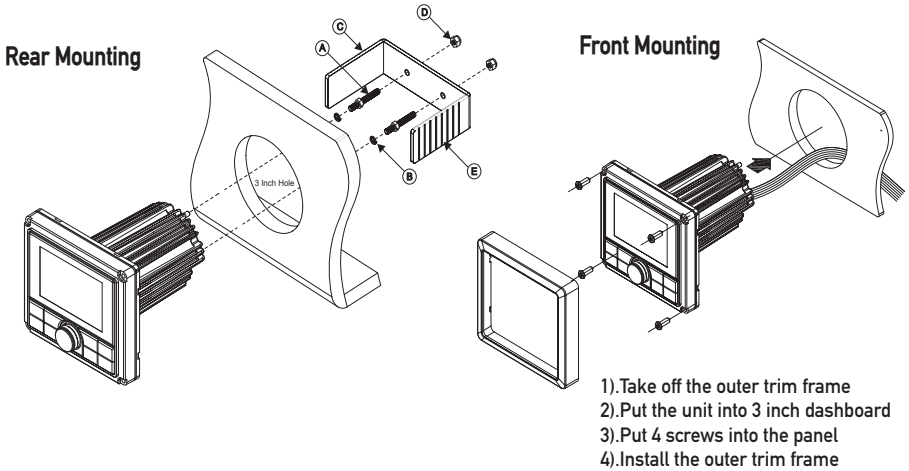
- PURPLE** — Z2 LEFT OUTPUT(WHITE)  
Z2 RIGHT OUTPUT(RED)
- BROWN** — SUB.W 2 OUTPUT(WHITE)  
SUB.W 10 OUTPUT(RED)
- BLACK** — Z1 REAR LEFT OUTPUT(WHITE)  
Z1 REAR RIGHT OUTPUT(RED)
- GRAY** — Z1 FRONT LEFT OUTPUT(WHITE)  
Z1 FRONT RIGHT OUTPUT(RED)

**AUXILIARY INPUT CONNECTIONS**

- GREEN** — AUX LEFT INPUT(WHITE)  
AUX RIGHT INPUT(RED)
- RED** ----- 12V OUT(B+)
- PINK** ----- CAMERA TRIGGER

**Fuse:**  
When replacing the fuse, make sure the new fuse is the correct type and amperage. Using an incorrect fuse could damage the radio.

## Installation



### Mounting the Radio

1. Choose a mounting location on the dashboard instrument panel that will allow room behind to run radio cables to the power source. Consider how you will use the AUX IN, LINE OUT and USB connectors and route the appropriate extension cables to an accessible area.
2. Cut a hole in the dash board using the template provided in the back of this manual. A depth of at least 3 to 4 inches is needed to mount the radio.

**IMPORTANT! Do not mount this unit where it can be submerged in water.**

3. Slide the included spring washers (B) over the screw posts (A) and attach the screw posts to the back of the radio.
4. Place the radio in front of the dashboard opening so the wiring can be brought through the opening.
5. After completing the wiring connections, turn the radio on to confirm operation (vehicle accessory switch must be on). If the radio does not operate, recheck all wiring until the problem is corrected. Once proper operation is achieved, turn the accessory switch off and proceed with final mounting of the radio.

**NOTE:** Before final installation, test the wiring connections to make sure the unit is connected properly and the system works.

6. Insert the radio into the mounting hole.
7. Place the "U" bracket (C) over the screw posts and secure the radio to the dash using the included hex nuts (D). If necessary, cut the score marks (E) on either side of the mounting bracket to custom fit the bracket length for your application. See Figure A.

## Control Locations - Receiver




- |                    |                |
|--------------------|----------------|
| ① Day / Night      | ⑥ Play / Pause |
| ② Power / Source   | ⑦ Tune Down    |
| ③ Menu / Go Back   | ⑧ Preset       |
| ④ Camera           | ⑨ Tune Up      |
| ⑤ Volume Up / Down |                |


---

# General Operation


## Turn on/off the unit

Press the  SRC button to turn on the unit. When the unit is on, press and hold the button for 2 seconds to turn off the unit.


## Mute on/off

When the unit is on, press the  button to mute the sound. Press it again to resume the sound.



## Setting menu

Press the  button into the setting menu. Rotate the VOL knob to setting items: In each item Rotate the VOL +/- knob to set them.


## ZONE1/ZONE2 audio setting

Shortly press the  button, Then select the ZONE1 / ZONE2 and press the VOL knob into their sub-menu, rotate the VOL knob to select items to select, rotate the VOL knob to change their value then press the VOL knob to confirm.

## DAY/NIGHT mode and DIMMER operation

Shortly press the  button to change DAY/NIGHT mode. Hold the  button shows DIMMER adjust item, rotating the VOL knob to select.

## Switch to CAMERA source

- 1) Press the  SRC button then rotate the VOL knob to select CAMERA source. In this mode, the speakers will not produce sound.
- 2) The "Camera trigger" wire connected to 12V power.
- 3) Press the CAM button to switch CAMERA source. Press again to return to the previous source.

## Reset function

Shortly press the  button, select RESET->YES to restore all the data to the factory setting.

# General Operation

## Key Functions

| Keys           | Action | Radio                                   | USB  | AUX                                    | BT Music                               | Standby  |
|----------------|--------|---|--|--|--|----------|
| ⊙ SRC          | Short  | Source change                           | Source change                                | Source change                          | Source change                          | Power on |
|                | Long   | Power off                               | Power off                                    | Power off                              | Power off                              | /        |
| CAM            | Short  | Camera source                           | Camera source                                | Camera source                          | Camera source                          | /        |
|                | Long   | /                                       | /  | /                                      | /                                      | /        |
| ≡              | Short  | Setting menu / back                     | Setting menu / back                          | Setting men / back                     | Setting menu / back                    | /        |
|                | Long   | Exit menu                               | Exit menu                                    | Exit menu                              | Exit menu                              | /        |
| ☀ ☾            | Short  | Night/Day                               | Night/Day                                    | Night/Day                              | Night/Day                              | /        |
|                | Long   | Dimmer                                  | Dimmer                                       | Dimmer                                 | Dimmer                                 | /        |
| ★              | Short  | Preset call / Manual save (Short->Long) | RPT ONE/<br>RPT ALL/<br>RDM ON/<br>FILE LIST | /                                      | /                                      | /        |
|                | Long   | Preset call                             | /  | /                                      | BT disconnect / reconnect              | /        |
| ▶ II           | Short  | Mute on/off                             | Play/Pause                                   | Mute on/off                            | Play/Pause                             | /        |
|                | Long   | Auto Store                              | /  | /                                      | /                                      | /        |
| I ◀◀           | Short  | Seek down                               | Previous file                                | /                                      | previous file                          | /        |
|                | Long   | Manual tune down                        | Fast Reverse                                 | /                                      | /                                      | /        |
| ▶▶ I           | Short  | Seek up                                 | Next file                                    | /                                      | next file                              | /        |
|                | Long   | Manual tune up                          | Fast Forward                                 | /                                      | /                                      | /        |
| VOL            | Rotary | Main VOL up/down                        | Main VOL up/down                             | Main VOL up/down                       | Main VOL up/down                       | /        |
| SEL (PUSH VOL) | Short  | Zone 2 VOL<br>->Sub gain<br>->Main VOL  | Zone 2 VOL<br>->Sub gain<br>->Main VOL       | Zone 2 VOL<br>->Sub gain<br>->Main VOL | Zone 2 VOL<br>->Sub gain<br>->Main VOL | /        |
|                | Long   | AF/TA/PTY                               | AF/TA/PTY                                    | AF/TA/PTY                              | AF/TA/PTY                              | /        |

---

## AM/FM Tuner Operation

Press the SRC button then rotate the VOL knob to select FM/AM source. Shortly press the ►|/|◄◄ button to receive the desired radio station. Press and hold the ►|/|◄◄ button to manually tune the frequency.

### Auto Store

Press the ►|| button for 2 seconds to auto store stations to the presets.

### Manually store station

When receiving a desired station, press ★ button into the presets, rotate the VOL knob to select a preset, then press and hold the ★ button to save to this preset.

### Recall preset station

Press the ★ button into the presets, rotate the VOL knob to select the desired preset, then press the VOL knob.

### RDS Operation

Press and hold the VOL knob to show the RDS menu. Rotate the VOL knob to set them.



## USB Operation

When a USB driver is inserted, the unit will play the MP3/WMA file automatically. If a USB drive is already inserted in the unit, press the SRC button then rotate the VOL knob to select USB source.

### Select file & Fast Forward/Fast Reverse

Press the ►|/◀◀ button to skip to next/previous file. Hold the ►►/◀◀ button to fast forward or fast reverse.

### Play/Pause

Press the ►|| button to pause/play the file.

### Repeat/Random/File list function

In USB playing, press the ★ button into the menu:  
REPEAT ONE / REPEAT ALL / RANDOM ON / FILE LIST.  
Rotate the VOL knob to select them.

---

## Bluetooth® Operation

### Pairing

On your mobile phone, open Bluetooth settings and search for devices. "MGH5" should appear in the list, select "MGH5" and then input password "0000" if it needs a password.

When successfully paired, the BT mark will be shown on the display.

### Bluetooth Audio

Press the SRC button then rotate the VOL knob to select BT source. It will play a song of your mobile phone automatically.

Press the ►|| button to pause/play the song.

Press the ►|/|◀◀ button to select next/previous song.

### Disconnect / Re-connect the Bluetooth

When the mobile phone is paired with the unit. If you want to disconnect the Bluetooth. In BT source, press and hold the ★ button for 2 seconds to disconnect/re-connect the Bluetooth.



## Weather Band Operation

Press the SRC button then rotate the VOL knob to select WB source.

**Select station:**

Press the ★ button into the presets, rotate the VOL knob to select the desired preset, then press the VOL knob.

Or press the ►►/◄◄ button to select next/previous station.

## Limited One Year\* Warranty

This warranty gives you specific legal rights. You may also have other rights which vary from state to state.

Dual Electronics Corp. Inc warrants this product to the original purchaser to be free from defects in material and workmanship for a period of one year from the date of the original purchase.

Dual Electronics Corp. Inc agrees, at our option, during the warranty period, to repair any defect in material or workmanship or to furnish an equal new, renewed, or comparable product (whichever is deemed necessary) in exchange without charges, subject to verification of the defect or malfunction and proof of the date of purchase. Subsequent replacement products are warranted for the balance of the original warranty period.

### What is covered?

This warranty covers all defects in the material and workmanship in this product. The following are not covered: software, installation/removal costs, damage resulting from accident, misuse, abuse, neglect, product modification, improper installation, incorrect line voltage, unauthorized repair, or failure to follow instructions supplied with the product, or damage occurring during return shipment of the product. Specific license conditions and copyright notices for the software can be found via [www.dualav.com](http://www.dualav.com).

### Warranty Coverage

\* Limited 1-year warranty. (Proof of purchase required)

- **Extended Coverage:** Extend your warranty from 1 year to 2 years when you register online at [www.dualav.com](http://www.dualav.com). Registration must be completed within 60 days of the original purchase date to qualify for this extension.

### What to do?

1. Before you call for service, check the troubleshooting guide in your owner's manual. A slight adjustment of any custom controls may save you a service call.
2. If you require service during the warranty period, you must carefully pack the product (preferably in the original package) and ship it by prepaid transportation with a copy of the original receipt from the retailer to an authorized service center.
3. Please describe your problem in writing and include your name, a return UPS shipping address (P.O. Box not acceptable), and a daytime phone number with your shipment.
4. For more information and for the location of the nearest authorized service center please contact us by one of the following methods
  - a. Call us toll-free at (866) 382-5476 (Monday-Friday, 9:00 am to 5:00 pm, EST)
  - b. E-mail us at [cs@dualav.com](mailto:cs@dualav.com)

### Exclusion of Certain Damages:

This warranty is exclusive and in lieu of any and all other warranties, expressed or implied, including without limitation the implied warranties of merchantability and fitness for a particular purpose and any obligation, liability, right, claim or remedy in contract or tort, whether or not arising from the company's negligence, actual or imputed. No person or representative is authorized to assume for the company any other liability in connection with the sale of this product. In no event shall the company be liable for indirect, incidental, or consequential damages.



## Troubleshooting

| Problem   | Cause   | Action   |
|---|---|--|
| Unit will not turn on<br>(no power)   | Yellow wire not connected or incorrect voltage<br>Red wire not connected or incorrect voltage | Check connections for proper voltage (11-16VDC)                    |
|   | Black wire not connected  | Check connection to ground   |
|   | Fuse blown  | Replace fuse   |
| Unit has power<br>(but no sound)  | Speaker wires not connected   | Check connections at speakers                                      |
|   | One or more speaker wires touching each other or touching chassis ground                      | Insulate all bare speaker wires from each other and chassis ground |
| The operation keys do not work  | The built-in microcomputer is not operating properly due to noise                             | Press the reset button   |
| The radio does not work.<br>The radio station automatic selection does not work | The antenna cable is not connected  | Press the reset button   |
|   | The signals are too weak  | Insert the antenna cable firmly                                    |

## Specifications

|                                       |  |
|---------------------------------------|--|
| <b>FM Tuner</b>                       | Tuning range: <b>87.5MHz-107.9MHz</b><br>Usable sensitivity: <b>12dBuV</b><br>Stereo separation @ 1kHz: <b>&gt;30dB</b><br>Frequency response: <b>30Hz-10kHz</b> |
| <b>AM Tuner</b>                       | Tuning range: <b>530kHz-1710kHz</b><br>Usable sensitivity: <b>63.1uV</b><br>Frequency response: <b>60Hz-2.2kHz</b>   |
| <b>General</b>                        | Speaker output impedance: <b>4-8 ohms</b><br>Line output voltage: <b>4 Volts RMS</b>   |
| <b>Bluetooth<sup>®</sup> Profiles</b> | <b>A2DP</b> (advanced audio distribution profile)<br><b>AVRCP</b> (audio video remote control profile)   |

Design and specifications subject to change without notice.



## FCC Compliance

This device complies with Part 15 of the FCC Rules. Operation is subject to the following two conditions:

- (1) this device may not cause harmful interference, and
- (2) this device must accept any interference received, including interference that may cause undesired operation.

**Warning:** Changes or modifications to this unit not expressly approved by the party responsible for compliance could void the user's authority to operate the equipment.

**Note:** This equipment has been tested and found to comply with the limits for a Class B digital device, pursuant to Part 15 of the FCC Rules. These limits are designed to provide reasonable protection against harmful interference in a residential installation. This equipment generates, uses and can radiate radio frequency energy and, if not installed and used in accordance with the instructions, may cause harmful interference to radio communications. However, there is no guarantee that interference will not occur in a particular installation. If this equipment does cause harmful interference to radio or television reception, which can be determined by turning the equipment off and on, the user is encouraged to try to correct the interference by one or more of the following measures:

- Reorient or relocate the receiving antenna.
- Increase the separation between the equipment and receiver.
- Connect the equipment into an outlet on a circuit different from that to which the receiver is connected.
- Consult the dealer or an experienced radio/TV technician for help.



Dual Electronics Corp.  
Toll Free: 1-866-382-5476  
Monday-Friday, 9AM-5PM  
[www.dualav.com](http://www.dualav.com)

©2025 Dual Electronics Corp. All rights reserved.

The Bluetooth® word mark and logos are registered trademarks owned by Bluetooth SIG, Inc.

NSC0325-V01