



## DCPA1013

### QUICK START GUIDE

Media Receiver with Android Auto™ and CarPlay™ featuring a 10.1" digital TFT Display



androidauto Works with Apple CarPlay

This Quick Start Guide gives you the basics to start using your DCPA1013. Please visit [www.dualav.com](http://www.dualav.com) to download a complete owner's manual or call customer service at 1-866-382-5476 (Monday-Friday, 9AM-5PM EST).

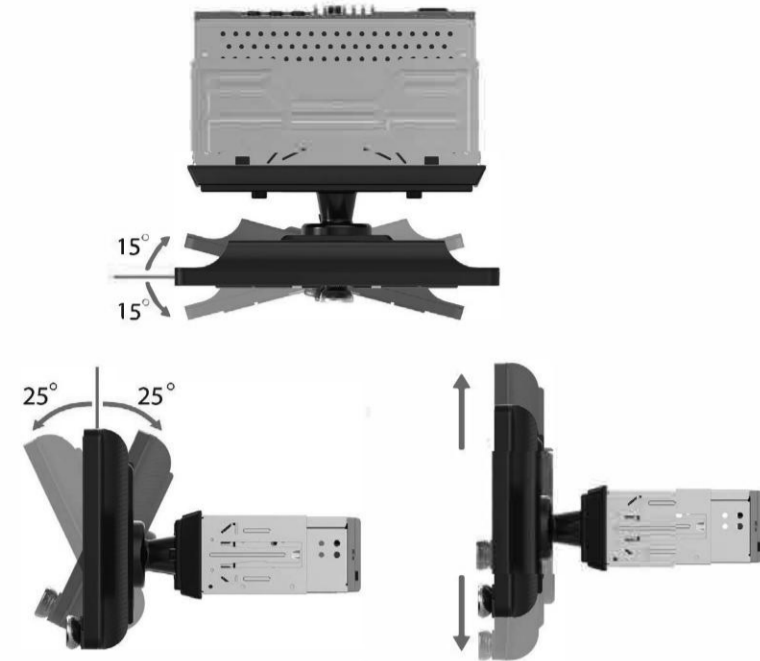


Customer Service Toll Free: 1-866-382-5476

## Installation

For detailed installation instructions, please refer to the included Installation Guide.

## Screen Adjustments



## Control Locations

The radio display features the following functions and displays:

- Voice Activation Button
- Source/Home
- Power/Volume/Mute
- Previous Button
- Next Button
- Reset

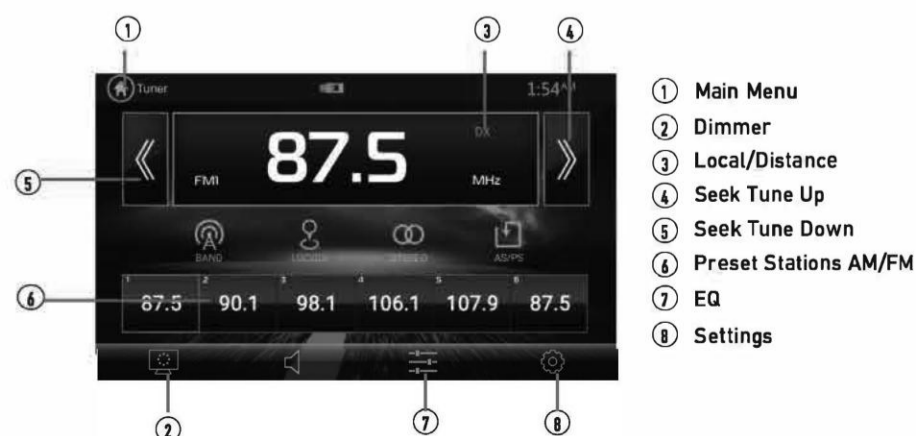


## Main Menu

In main menu, press the desired icon to enter the corresponding mode: AM/FM/Bluetooth Phone/Bluetooth Audio/Apple CarPlay/Android Auto/USB/Camera/EQ/AV In/Settings



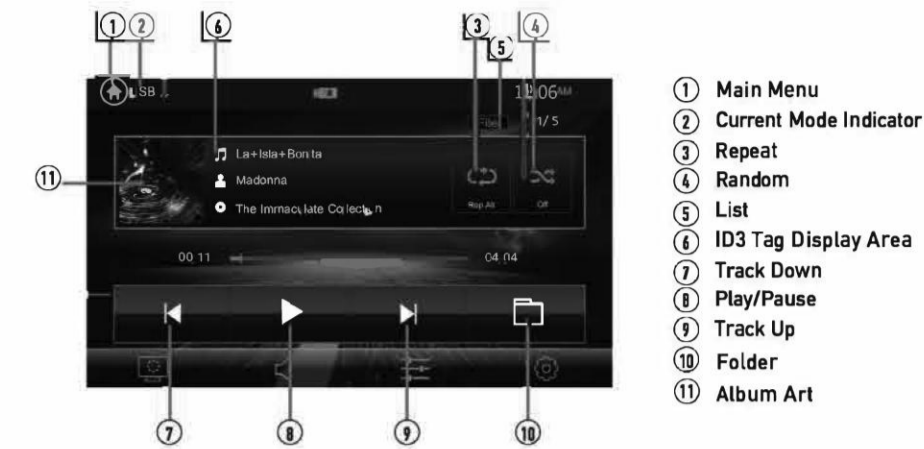
## Tuner Operation



- Main Menu
- Dimmer
- Local/Distance
- Seek Tune Up
- Seek Tune Down
- Preset Stations AM/FM
- EQ
- Settings

## USB Operation

From the main menu, touch the USB icon on the main screen.



- Main Menu
- Current Mode Indicator
- Repeat
- Random
- List
- ID3 Tag Display Area
- Track Down
- Play/Pause
- Track Up
- Folder
- Album Art

## Audio Operation

Select from the below 3 icons in the Settings menu to select between Balance, Fader and Time Alignment Settings, EQ Presets and 10-Band EQ Settings or Surround Settings.



## Screen Operation

Press the Monitor icon in the Settings menu to access the Brightness, Contrast, Button Illumination Colors and Wallpaper Settings.



## General Operation

Press the Function icon in the Settings menu to access the Time Zone, Date and Time and other radio Settings.



## Wired & Wireless CarPlay Operation

### Wired connection

- Connect an Apple CarPlay compatible device to this unit via USB.
  - Press the Apple CarPlay icon.
- The Apple CarPlay home screen appears.

### Wireless connection

- Before using Apple CarPlay wirelessly, turn on the Bluetooth/Wifi function on the Phone.
- Press icon on the main menu;
  - Press to confirm to use wireless CarPlay;
  - Press to search phone device. The available devices appear on the list;
  - Find the desired device on the screen and press "Pair";
  - A pass key will be displayed on the screen;
  - The same key appears on the iPhone, press "Pair" and then press "Allow" for the popups;
  - Press on the screen to confirm to connect;
  - Press "Use CarPlay" on the iPhone. The unit configures the connection then starts the application.



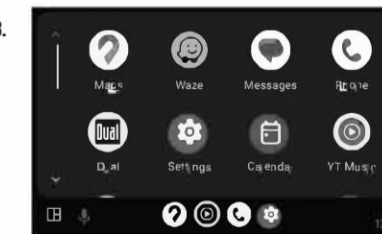
## Wired & Wireless Android Auto™ Operation

### Wired connection

- Connect an Android Auto™ compatible device to this unit via USB.
  - Press the Android Auto icon.
- The Android Auto home screen appears.

### Wireless connection

- Before using Android Auto wirelessly, turn on the Bluetooth/Wifi function on the Android device.
- Press icon on the main menu;
  - Press to confirm to use wireless Android Auto;
  - Press to search phone device. The available devices appear on the list;
  - Find the desired device on the screen and press "Pair";
  - A pass key will be displayed on the screen;
  - The same key appears on the Android device, press "Pair" and then press "Allow" for the popups;
  - Press on the screen to confirm to connect;
  - The unit configures the connection then starts the application.



## Bluetooth Operation

### Before using Bluetooth

Before you can use a Bluetooth device to make hands-free calls or stream audio, it must be authenticated. This is also referred to as "pairing" a device.

### Pairing a New Device

The unit broadcasts the pairing signal constantly when no devices are currently connected. Complete the pairing sequence from your Bluetooth device. Refer to the owner's manual for your device for more details. The device name is "DCPA1013". The unit can be in any mode of operation when pairing is performed. On certain phones, pairing may need to be done more than once.

### Connect

The head unit will automatically connect to the last connected device when the connect feature is set to Auto connect On. If the connect feature is set to Auto Connect Off, the head unit will not automatically connect to any device.

### Bluetooth Phone

From the main menu touch the Bluetooth on the screen. Bluetooth icon will appear anytime a Bluetooth device is connected.

### Dialing a Number

Press to display keypad and dial a number.

### Making and Ending a Call

Press to connect a call, and press to end a call.

### Transferring Audio

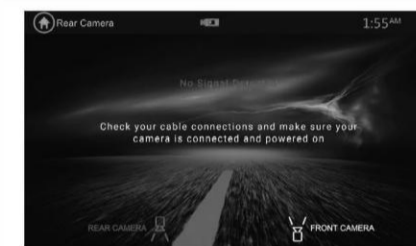
Press to transfer audio between the head unit and mobile phone.

### Streaming Audio

Press to play or pause the music.  
Press to skip to the previous track.  
Press to advance to the next track.



## Rear Camera



## Limited One Year\* Warranty

This warranty gives you specific legal rights. You may also have other rights which vary from state to state.

Dual Electronics Corp. Inc warrants this product to the original purchaser to be free from defects in material and workmanship for a period of one year from the date of the original purchase.

Dual Electronics Corp. Inc agrees, at our option, during the warranty period, to repair any defect in material or workmanship or to furnish an equal new, renewed, or comparable product (whichever is deemed necessary) in exchange without charges, subject to verification of the defect or malfunction and proof of the date of purchase. Subsequent replacement products are warranted for the balance of the original warranty period.

**What is covered?** This warranty covers all defects in the material and workmanship in this product. The following are not covered: software, installation/removal costs, damage resulting from accident, misuse, abuse, neglect, product modification, improper installation, incorrect line voltage, unauthorized repair, or failure to follow instructions supplied with the product, or damage occurring during return shipment of the product. Specific license conditions and copyright notices for the software can be found via [www.dualav.com](http://www.dualav.com).

### Warranty Coverage

- \* Limited 1-year warranty. (Proof of purchase required)
- Extended Coverage: Extend your warranty from 1 year to 2 years when you register online at [www.dualav.com](http://www.dualav.com). Registration must be completed within 60 days of the original purchase date to qualify for this extension.

### What to do?

- Before you call for service, check the troubleshooting guide in your owner's manual. A slight adjustment of any custom controls may save you a service call.
- If you require service during the warranty period, you must carefully pack the product (preferably in the original package) and ship it by prepaid transportation with a copy of the original receipt from the retailer to an authorized service center.
- Please describe your problem in writing and include your name, a return UPS shipping address (P.O. Box not acceptable), and a daytime phone number with your shipment.
- For more information and for the location of the nearest authorized service center please contact us by one of the following methods:
  - Call us toll-free at (866) 382-5476 (Monday-Friday, 9:00 am to 5:00 pm, EST)
  - E-mail us at [cs@dualav.com](mailto:cs@dualav.com)

**Exclusion of Certain Damages:** This warranty is exclusive and in lieu of any and all other warranties, expressed or implied, including without limitation the implied warranties of merchantability and fitness for a particular purpose and any obligation, liability, right, claim or remedy in contract or tort, whether or not arising from the company's negligence, actual or imputed. No person or representative is authorized to assume for the company any other liability in connection with the sale of this product. In no event shall the company be liable for indirect, incidental, or consequential damages

## FCC Compliance

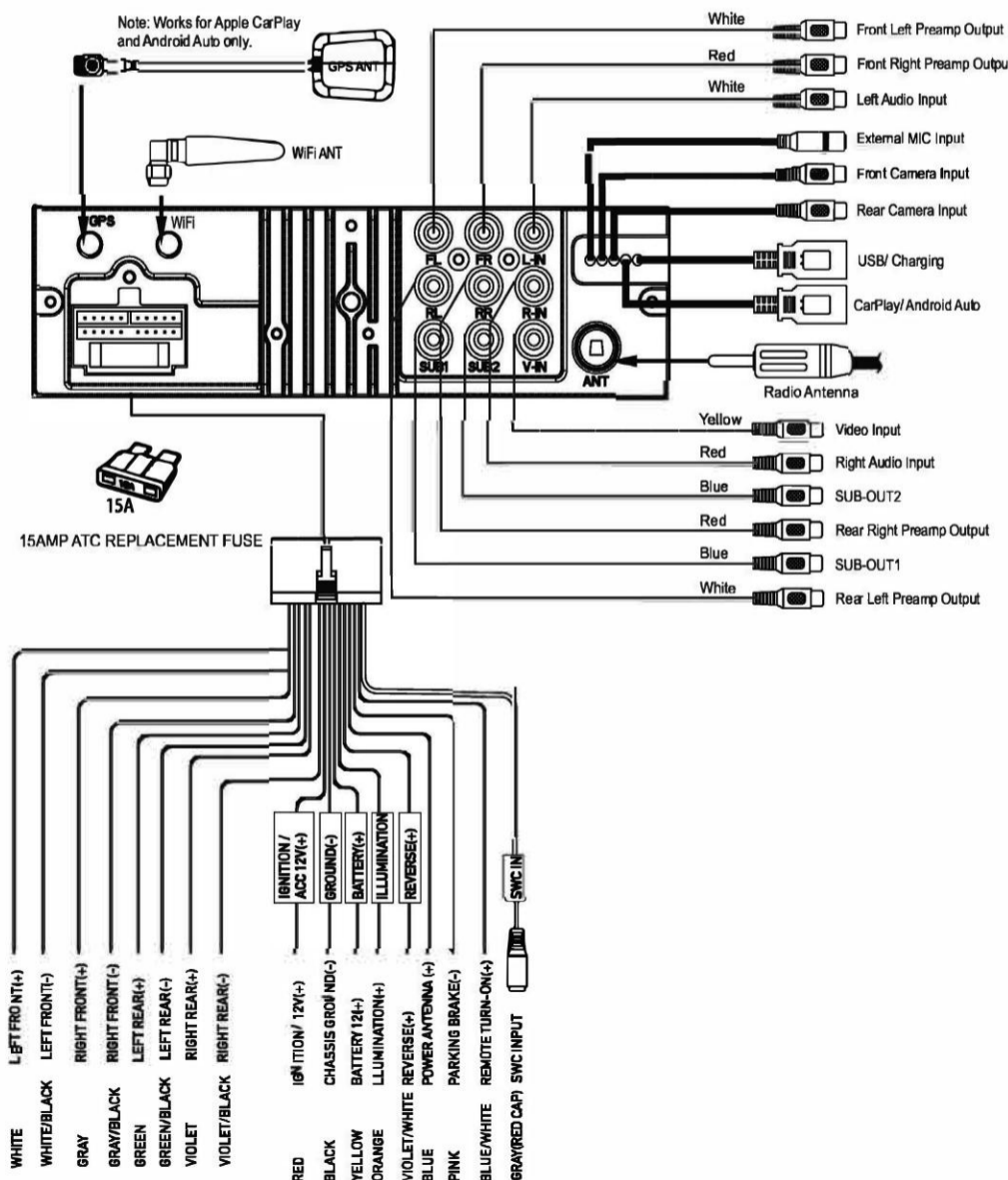
This device complies with Part 15 of the FCC Rules. Operation is subject to the following two conditions:  
(1) this device may not cause harmful interference, and  
(2) this device must accept any interference received, including interference that may cause undesired operation.

Warning: Changes or modifications to this unit not expressly approved by the party responsible for compliance could void the user's authority to operate the equipment.

**Note:** This equipment has been tested and found to comply with the limits for a Class B digital device, pursuant to Part 15 of the FCC Rules. These limits are designed to provide reasonable protection against harmful interference in a residential installation. This equipment generates, uses and can radiate radio frequency energy and, if not installed and used in accordance with the instructions, may cause harmful interference to radio communications. However, there is no guarantee that interference will not occur in a particular installation. If this equipment does cause harmful interference to radio or television reception, which can be determined by turning the equipment off and on, the user is encouraged to try to correct the interference by one or more of the following measures:

- Reorient or relocate the receiving antenna,
- Increase the separation between the equipment and receiver.
- Connect the equipment into an outlet on a circuit different from that to which the receiver is connected.
- Consult the dealer or an experienced radio/TV technician for help.

## Wiring Diagram - Inputs/Outputs



**Note:** When replacing a fuse, make sure to use the correct type and amperage. Using an incorrect fuse could cause damage. The unit uses (1) 15 amp ATC mini style fuse located on the power connector.